



FORMWELL INDUSTRIES

SHEET METAL ORDER FORMS

615 - 649 - 3714 // info@formwellindustries.com



FORMWELL INDUSTRIES

SHEET METAL ORDER FORM

615-649-3714 // info@formwellindustries.com

PROJECT NAME: _____

MATERIAL: .040 ALUMINUM

FORMWELL WO# _____ (office use only)

26ga GALV STEEL .050 ALUMINUM

DUE DATE: _____

DATE SUBMITTED: _____

24ga GALV STEEL .063 ALUMINUM

Part Name: Ridge Cap

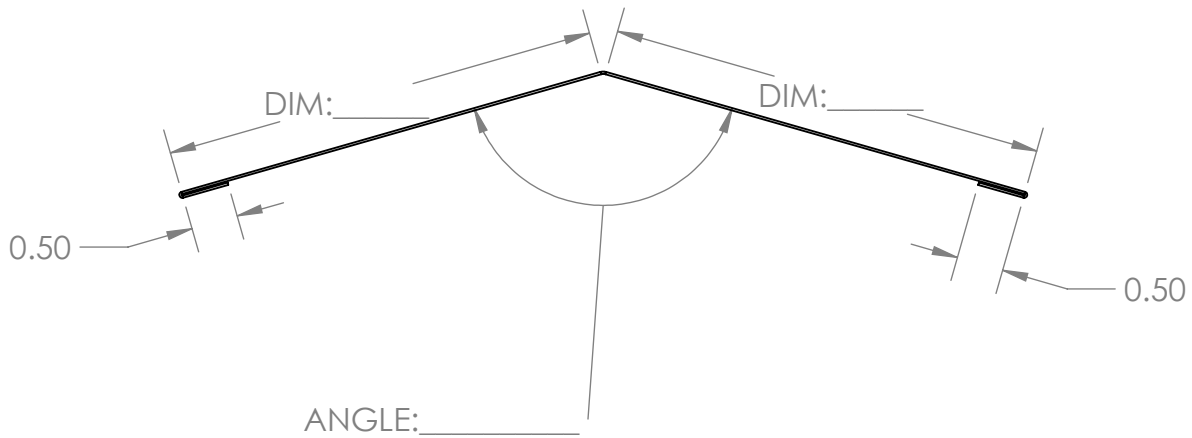
OTHER: _____

QUANTITY: _____

COLOR: _____

In 10'-0" Lengths _____

FINISH: _____



NOTES: _____

ORDERED BY: _____ PHONE: _____

SHEET # _____ OF _____ REV.

EMAIL: _____

SCALE: _____

AUTHORIZED SIGNATURE: _____ DATE: _____

DIMENSIONS ARE IN INCHES UNLESS NOTED OTHERWISE

PROPRIETARY AND CONFIDENTIAL

THE INFORMATION CONTAINED IN THIS DRAWING IS THE SOLE PROPERTY OF ORIGINAL AUTHOR. ANY REPRODUCTION IN PART OR AS A WHOLE WITHOUT THE WRITTEN PERMISSION OF ORIGINAL AUTHOR IS PROHIBITED.

A Signed Print Approval Signifies a Contractor Has Verified All Dimensions, Sizes, Quantities and Material Types. Fabrication Can only Proceed Upon Receipt of Signed Print Approval and Purchase Order

Completed by: _____ Inspected By: _____



FORMWELL INDUSTRIES

SHEET METAL ORDER FORM

615-649-3714 // info@formwellindustries.com

PROJECT NAME: _____

FORMWELL WO# _____ (office use only)

DUE DATE: _____ DATE SUBMITTED: _____

Part Name: Pipe Jack & Collar

QUANTITY: _____

In 10'-0" Lengths _____

MATERIAL: .040 ALUMINUM

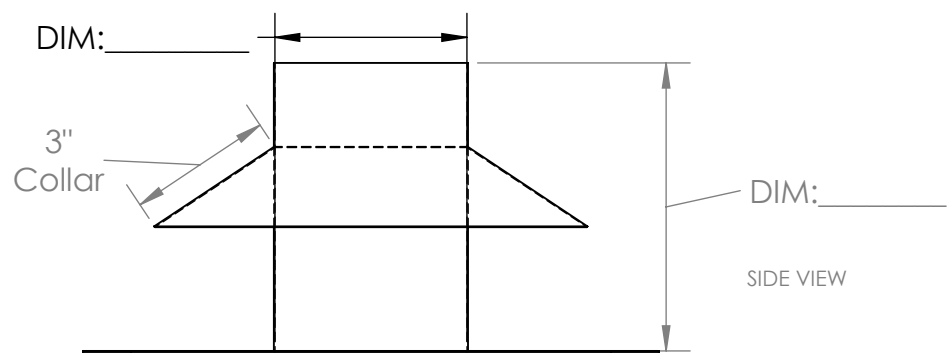
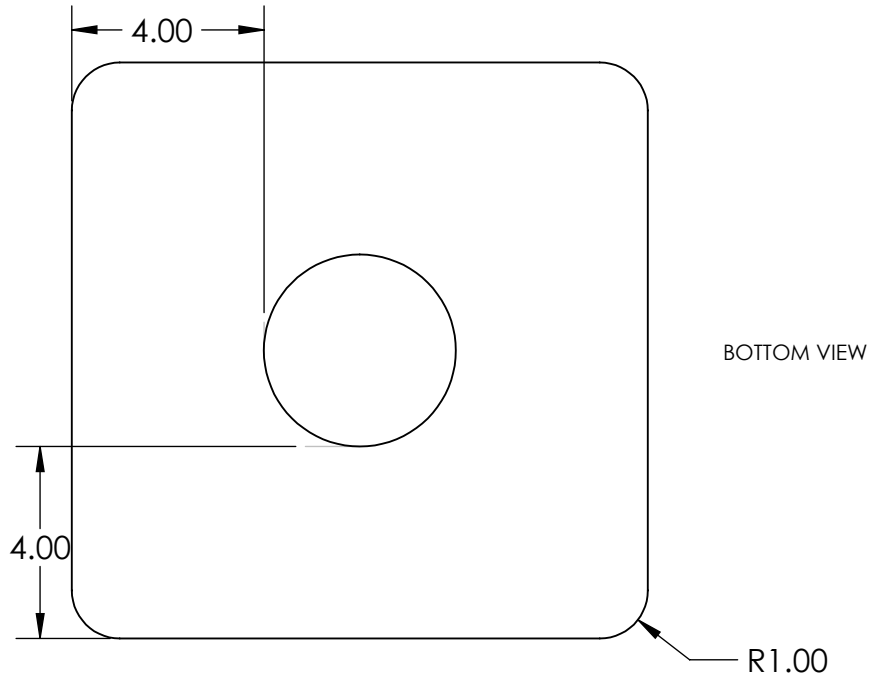
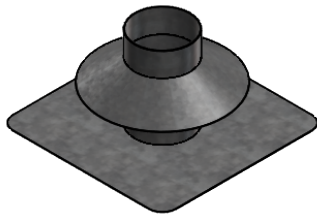
26ga GALV STEEL .050 ALUMINUM

24ga GALV STEEL .063 ALUMINUM

OTHER: _____

COLOR: _____

FINISH: _____



NOTES: _____

ORDERED BY: _____ PHONE: _____ SHEET # _____ OF _____ REV.

EMAIL: _____ SCALE: _____

AUTHORIZED SIGNATURE: _____ DATE: _____

DIMENSIONS ARE IN INCHES UNLESS NOTED OTHERWISE

PROPRIETARY AND CONFIDENTIAL

THE INFORMATION CONTAINED IN THIS DRAWING IS THE SOLE PROPERTY OF ORIGINAL AUTHOR. ANY REPRODUCTION IN PART OR AS A WHOLE WITHOUT THE WRITTEN PERMISSION OF ORIGINAL AUTHOR IS PROHIBITED.

A Signed Print Approval Signifies a Contractor Has Verified All Dimensions, Sizes, Quantities and Material Types. Fabrication Can only Proceed Upon Receipt of Signed Print Approval and Purchase Order

Completed by: _____ Inspected By: _____

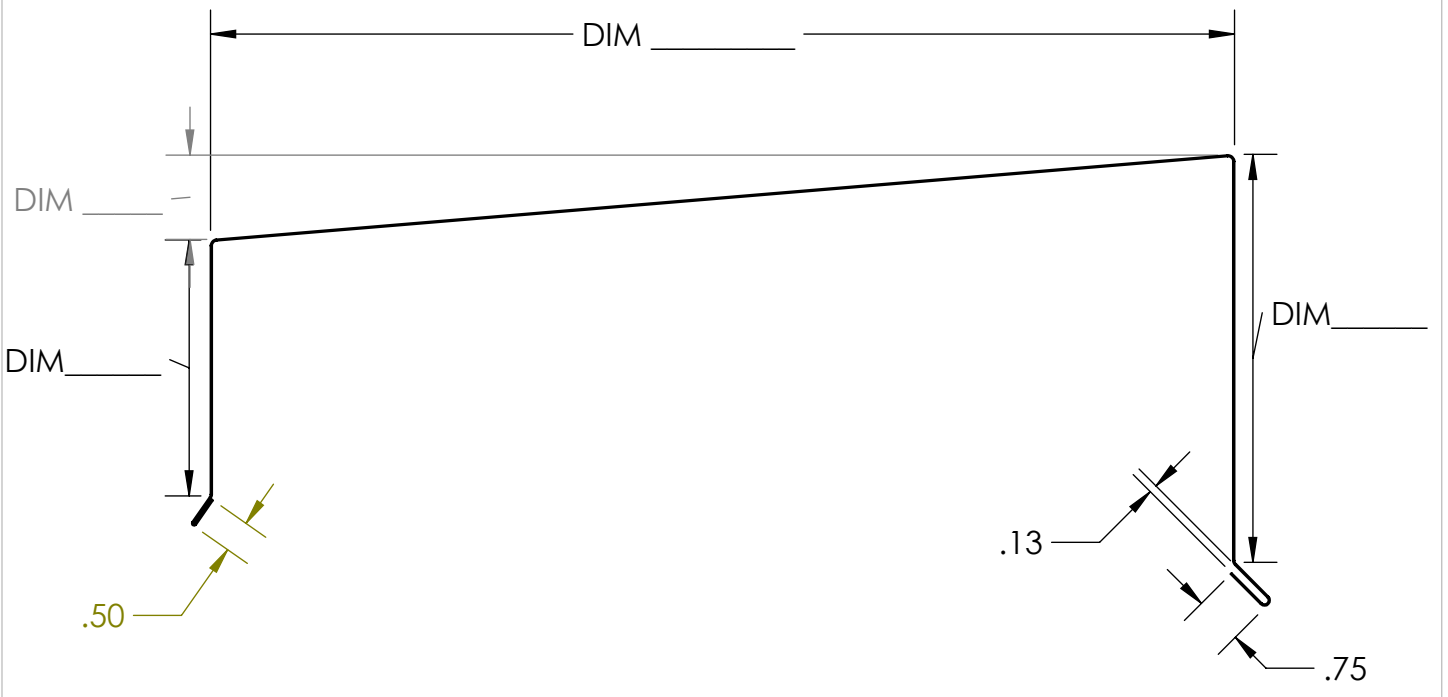


FORMWELL INDUSTRIES

SHEET METAL ORDER FORM

615-649-3714 // info@formwellindustries.com

PROJECT NAME: _____		MATERIAL: <input type="checkbox"/> .040 ALUMINUM	
FORMWELL WO# _____	(office use only)	<input type="checkbox"/> 26ga GALV STEEL	<input type="checkbox"/> .050 ALUMINUM
DUE DATE: _____	DATE SUBMITTED: _____	<input type="checkbox"/> 24ga GALV STEEL	<input type="checkbox"/> .063 ALUMINUM
Part Name: <u>Coping - Sloped</u>		<input type="checkbox"/> OTHER: _____	
QUANTITY: _____		COLOR: _____	
In 10'-0" Lengths		FINISH: _____	



NOTES:			
ORDERED BY: _____	PHONE: _____	SHEET # _____ OF _____	REV.
EMAIL: _____		SCALE: _____	
AUTHORIZED SIGNATURE: _____ DATE: _____		DIMENSIONS ARE IN INCHES UNLESS NOTED OTHERWISE	
A Signed Print Approval Signifies a Contractor Has Verified All Dimensions, Sizes, Quantities and Material Types. Fabrication Can only Proceed Upon Receipt of Signed Print Approval and Purchase Order		PROPRIETARY AND CONFIDENTIAL THE INFORMATION CONTAINED IN THIS DRAWING IS THE SOLE PROPERTY OF ORIGINAL AUTHOR. ANY REPRODUCTION IN PART OR AS A WHOLE WITHOUT THE WRITTEN PERMISSION OF ORIGINAL AUTHOR IS PROHIBITED.	

Completed by: _____ Inspected By: _____

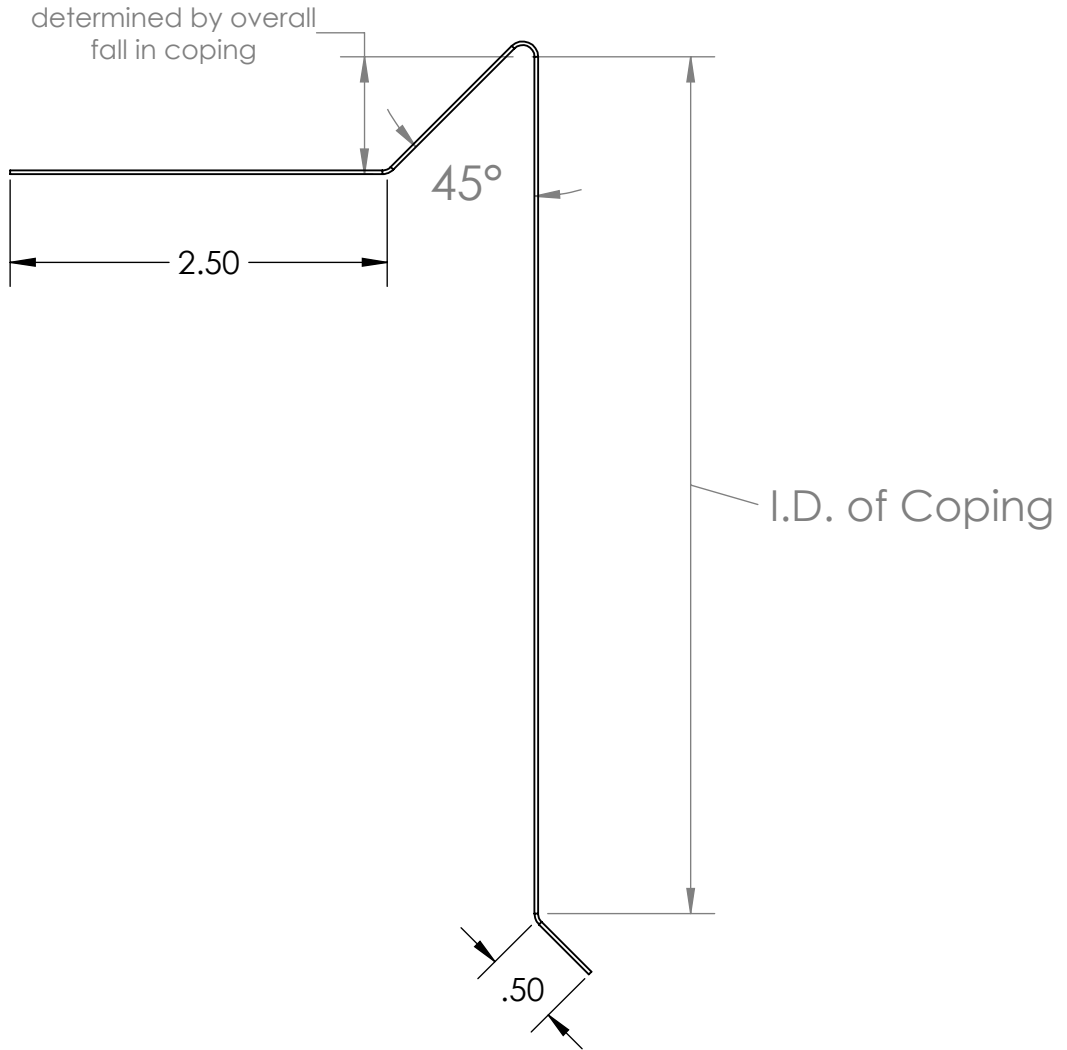


FORMWELL INDUSTRIES

SHEET METAL ORDER FORM

615-649-3714 // info@formwellindustries.com

PROJECT NAME: _____		MATERIAL: <input type="checkbox"/> .040 ALUMINUM	
FORMWELL WO# _____	(office use only)	<input type="checkbox"/> 26ga GALV STEEL	<input type="checkbox"/> .050 ALUMINUM
DUE DATE: _____	DATE SUBMITTED: _____	<input type="checkbox"/> 24ga GALV STEEL	<input type="checkbox"/> .063 ALUMINUM
Part Name: <u>Continuous Lock Strip</u>		<input type="checkbox"/> OTHER: _____	
QUANTITY: _____		COLOR: _____	
In 10'-0" Lengths		FINISH: _____	



NOTES:			
ORDERED BY: _____	PHONE: _____	SHEET # _____ OF _____	REV.
EMAIL: _____		SCALE: _____	
AUTHORIZED SIGNATURE: _____ DATE: _____		DIMENSIONS ARE IN INCHES UNLESS NOTED OTHERWISE PROPRIETARY AND CONFIDENTIAL THE INFORMATION CONTAINED IN THIS DRAWING IS THE SOLE PROPERTY OF ORIGINAL AUTHOR. ANY REPRODUCTION IN PART OR AS A WHOLE WITHOUT THE WRITTEN PERMISSION OF ORIGINAL AUTHOR IS PROHIBITED.	
A Signed Print Approval Signifies a Contractor Has Verified All Dimensions, Sizes, Quantities and Material Types. Fabrication Can only Proceed Upon Receipt of Signed Print Approval and Purchase Order			

Completed by: _____ Inspected By: _____



FORMWELL INDUSTRIES

SHEET METAL ORDER FORM

615-649-3714 // info@formwellindustries.com

PROJECT NAME: _____	
FORMWELL WO# _____	(office use only)
DUE DATE: _____	DATE SUBMITTED: _____
Part Name: Drip Edge with Lockstrip	_____
QUANTITY: _____	_____
In 10'-0" Lengths	_____

MATERIAL:

.040 ALUMINUM

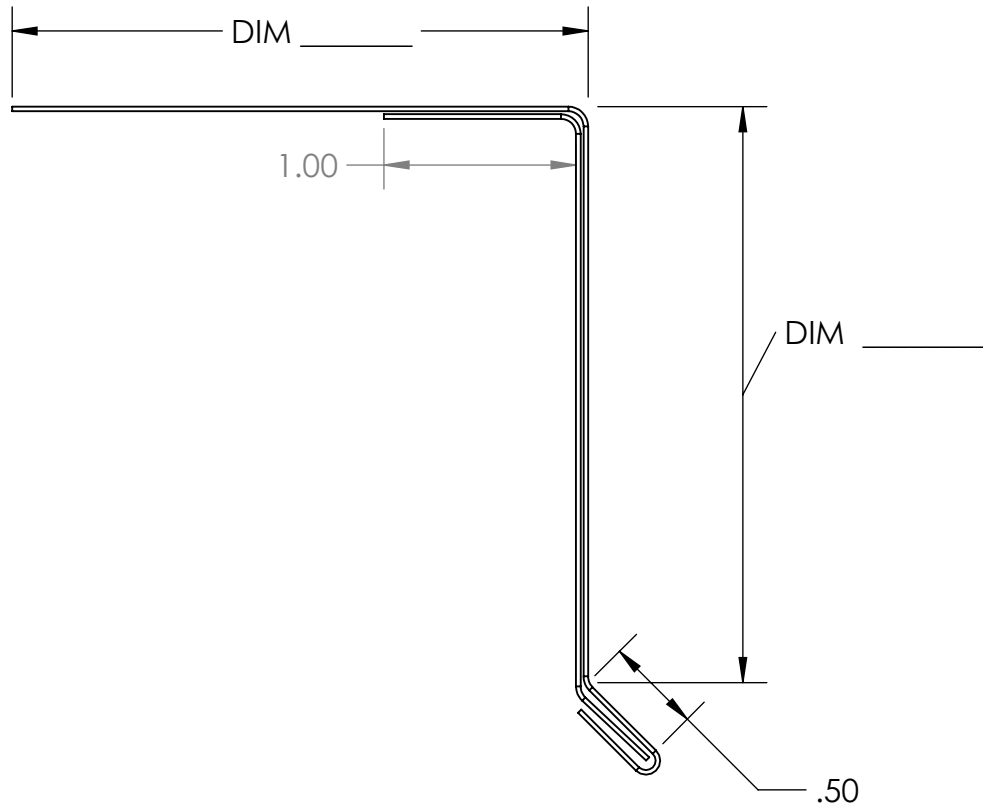
26ga GALV STEEL .050 ALUMINUM

24ga GALV STEEL .063 ALUMINUM

OTHER: _____

COLOR: _____

FINISH: _____



NOTES:			
ORDERED BY: _____	PHONE: _____	SHEET # _____ OF _____	REV.
EMAIL: _____		SCALE: _____	
AUTHORIZED SIGNATURE: _____ DATE: _____		DIMENSIONS ARE IN INCHES UNLESS NOTED OTHERWISE PROPRIETARY AND CONFIDENTIAL THE INFORMATION CONTAINED IN THIS DRAWING IS THE SOLE PROPERTY OF ORIGINAL AUTHOR. ANY REPRODUCTION IN PART OR AS A WHOLE WITHOUT THE WRITTEN PERMISSION OF ORIGINAL AUTHOR IS PROHIBITED.	
A Signed Print Approval Signifies a Contractor Has Verified All Dimensions, Sizes, Quantities and Material Types. Fabrication Can only Proceed Upon Receipt of Signed Print Approval and Purchase Order			

Completed by: _____ Inspected By: _____



FORMWELL INDUSTRIES

SHEET METAL ORDER FORM

615-649-3714 // info@formwellindustries.com

PROJECT NAME: _____

MATERIAL: .040 ALUMINUM

FORMWELL WO# _____ (office use only)

26ga GALV STEEL .050 ALUMINUM

DUE DATE: _____

DATE SUBMITTED: _____

24ga GALV STEEL .063 ALUMINUM

OTHER: _____

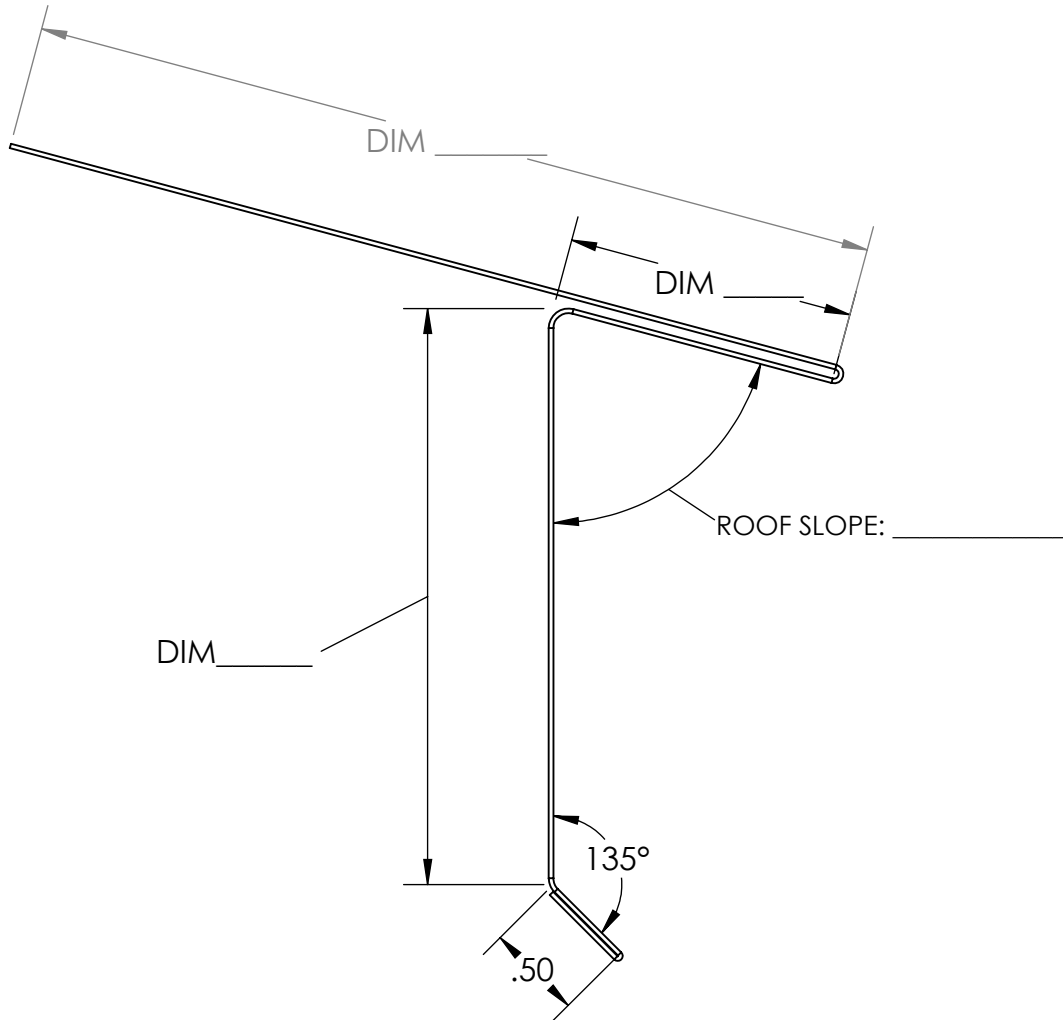
Part Name: Eave Drip Edge

QUANTITY: _____

COLOR: _____

In 10'-0" Lengths

FINISH: _____



NOTES: _____

ORDERED BY: _____ PHONE: _____ SHEET # _____ OF _____ REV.

EMAIL: _____ SCALE: _____

AUTHORIZED SIGNATURE: _____ DATE: _____

DIMENSIONS ARE IN INCHES UNLESS NOTED OTHERWISE

PROPRIETARY AND CONFIDENTIAL
THE INFORMATION CONTAINED IN THIS DRAWING IS THE SOLE PROPERTY OF ORIGINAL AUTHOR. ANY REPRODUCTION IN PART OR AS A WHOLE WITHOUT THE WRITTEN PERMISSION OF ORIGINAL AUTHOR IS PROHIBITED.

A Signed Print Approval Signifies a Contractor Has Verified All Dimensions, Sizes, Quantities and Material Types. Fabrication Can only Proceed Upon Receipt of Signed Print Approval and Purchase Order

Completed by: _____ Inspected By: _____



FORMWELL INDUSTRIES

SHEET METAL ORDER FORM

615-649-3714 // info@formwellindustries.com

PROJECT NAME: _____

MATERIAL: .040 ALUMINUM

FORMWELL WO# _____ (office use only)

26ga GALV STEEL .050 ALUMINUM

DUE DATE: _____

DATE SUBMITTED: _____

24ga GALV STEEL .063 ALUMINUM

Part Name: Face Extender

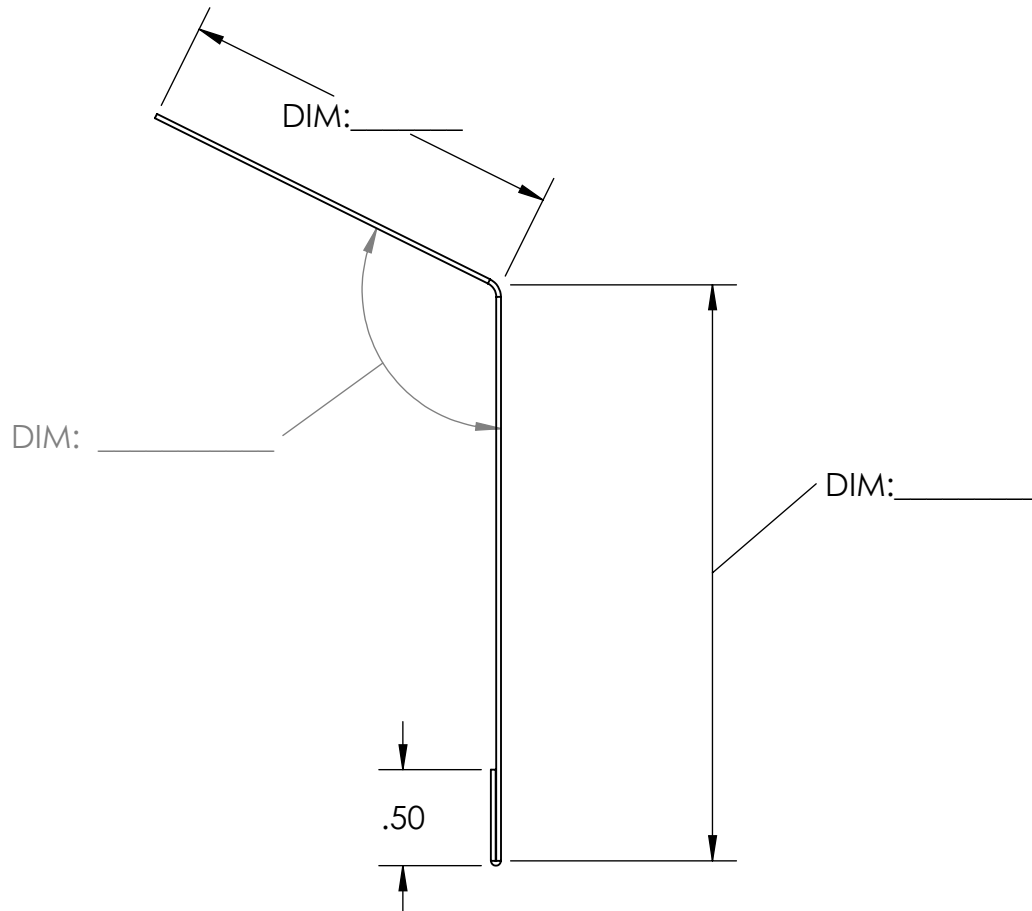
OTHER: _____

QUANTITY: _____

COLOR: _____

In 10'-0" Lengths _____

FINISH: _____



NOTES: _____

ORDERED BY: _____ PHONE: _____

SHEET # _____ OF _____ REV.

EMAIL: _____

SCALE: _____

AUTHORIZED SIGNATURE: _____ DATE: _____

DIMENSIONS ARE IN INCHES UNLESS NOTED OTHERWISE

PROPRIETARY AND CONFIDENTIAL

THE INFORMATION CONTAINED IN THIS DRAWING IS THE SOLE PROPERTY OF ORIGINAL AUTHOR. ANY REPRODUCTION IN PART OR AS A WHOLE WITHOUT THE WRITTEN PERMISSION OF ORIGINAL AUTHOR IS PROHIBITED.

A Signed Print Approval Signifies a Contractor Has Verified All Dimensions, Sizes, Quantities and Material Types. Fabrication Can only Proceed Upon Receipt of Signed Print Approval and Purchase Order

Completed by: _____ Inspected By: _____



FORMWELL INDUSTRIES

SHEET METAL ORDER FORM

615-649-3714 // info@formwellindustries.com

PROJECT NAME: _____	
FORMWELL WO# _____	(office use only)
DUE DATE: _____	DATE SUBMITTED: _____
Part Name: <u>Gravel Stop</u>	
QUANTITY: _____	
In 10'-0" Lengths	

MATERIAL:

.040 ALUMINUM

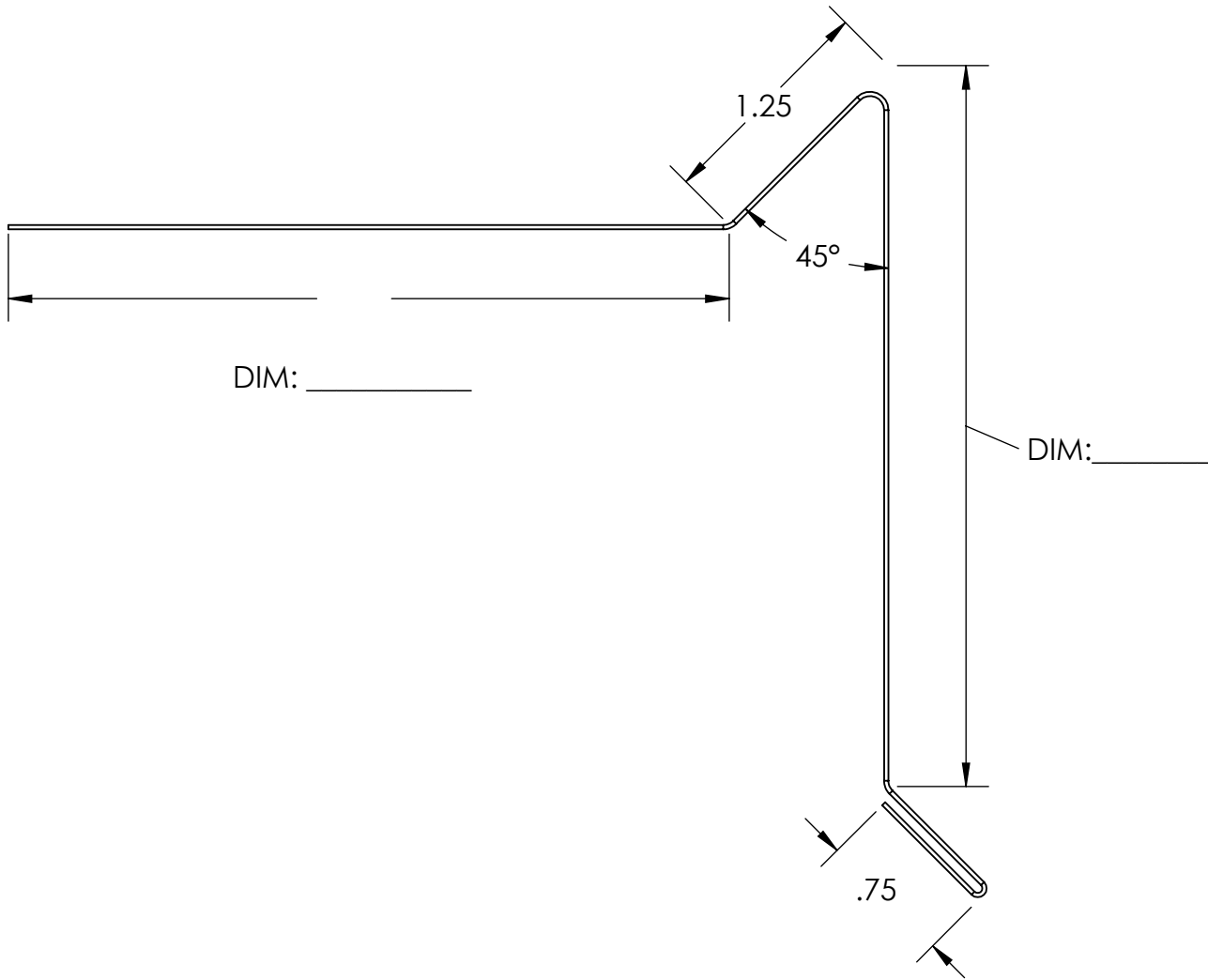
26ga GALV STEEL .050 ALUMINUM

24ga GALV STEEL .063 ALUMINUM

OTHER: _____

COLOR: _____

FINISH: _____



NOTES: _____

ORDERED BY: _____ PHONE: _____ SHEET # _____ OF _____ REV.

EMAIL: _____ SCALE: _____

AUTHORIZED SIGNATURE: _____ DATE: _____

DIMENSIONS ARE IN INCHES UNLESS NOTED OTHERWISE
PROPRIETARY AND CONFIDENTIAL
 THE INFORMATION CONTAINED IN THIS DRAWING IS THE SOLE PROPERTY OF ORIGINAL AUTHOR. ANY REPRODUCTION IN PART OR AS A WHOLE WITHOUT THE WRITTEN PERMISSION OF ORIGINAL AUTHOR IS PROHIBITED.

A Signed Print Approval Signifies a Contractor Has Verified All Dimensions, Sizes, Quantities and Material Types. Fabrication Can only Proceed Upon Receipt of Signed Print Approval and Purchase Order

Completed by: _____ Inspected By: _____



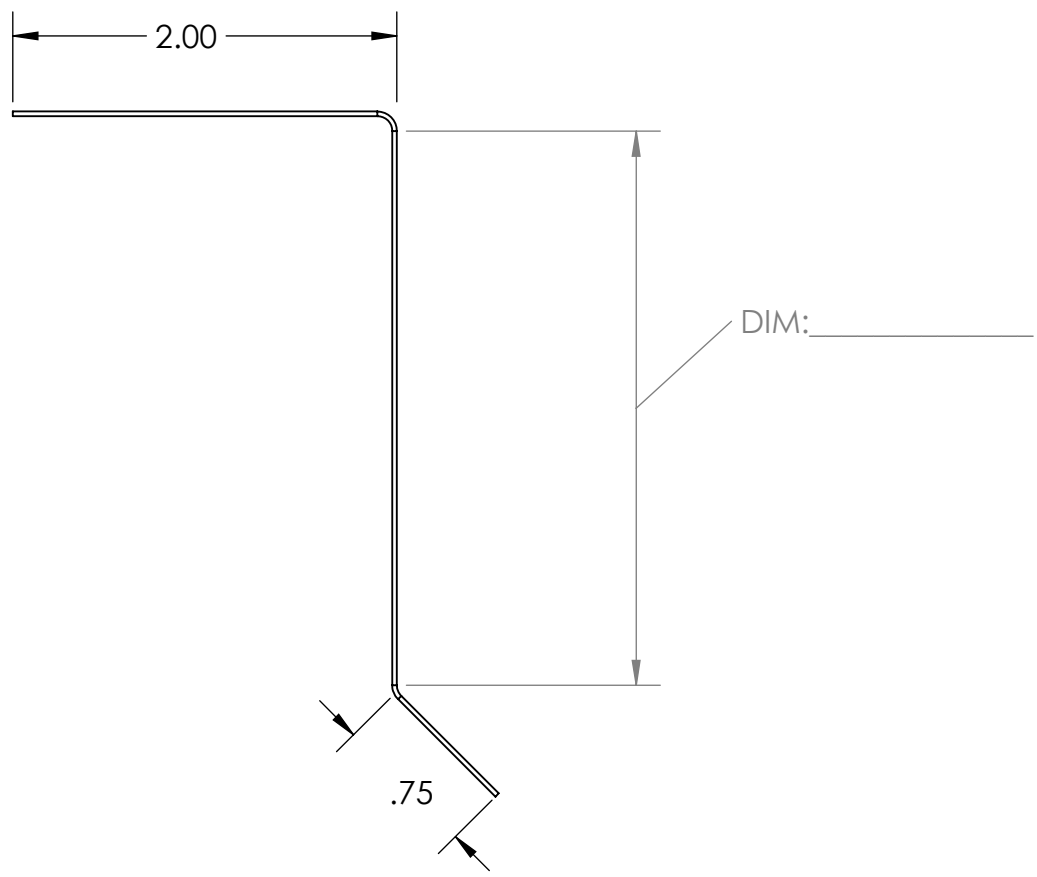
FORMWELL INDUSTRIES

SHEET METAL ORDER FORM

615-649-3714 // info@formwellindustries.com

PROJECT NAME: _____	
FORMWELL WO# _____	(office use only)
DUE DATE: _____	DATE SUBMITTED: _____
Part Name: LOCK STRIP	
QUANTITY: _____	
In 10'-0" Lengths	

MATERIAL: .040 ALUMINUM
 26ga GALV STEEL .050 ALUMINUM
 24ga GALV STEEL .063 ALUMINUM
 OTHER: _____
 COLOR: _____
 FINISH: _____



NOTES:		
ORDERED BY: _____	PHONE: _____	SHEET # _____ OF _____ REV.
EMAIL: _____		SCALE: _____
AUTHORIZED SIGNATURE: _____ DATE: _____		DIMENSIONS ARE IN INCHES UNLESS NOTED OTHERWISE

A Signed Print Approval Signifies a Contractor Has Verified All Dimensions, Sizes, Quantities and Material Types. Fabrication Can only Proceed Upon Receipt of Signed Print Approval and Purchase Order

PROPRIETARY AND CONFIDENTIAL
 THE INFORMATION CONTAINED IN THIS DRAWING IS THE SOLE PROPERTY OF ORIGINAL AUTHOR. ANY REPRODUCTION IN PART OR AS A WHOLE WITHOUT THE WRITTEN PERMISSION OF ORIGINAL AUTHOR IS PROHIBITED.

Completed by: _____ Inspected By: _____



FORMWELL INDUSTRIES

SHEET METAL ORDER FORM

615-649-3714 // info@formwellindustries.com

PROJECT NAME: _____

FORMWELL WO# _____ (office use only)

DUE DATE: _____ DATE SUBMITTED: _____

Part Name: Through Wall Scupper

QUANTITY: _____

In 10'-0" Lengths

MATERIAL: .040 ALUMINUM

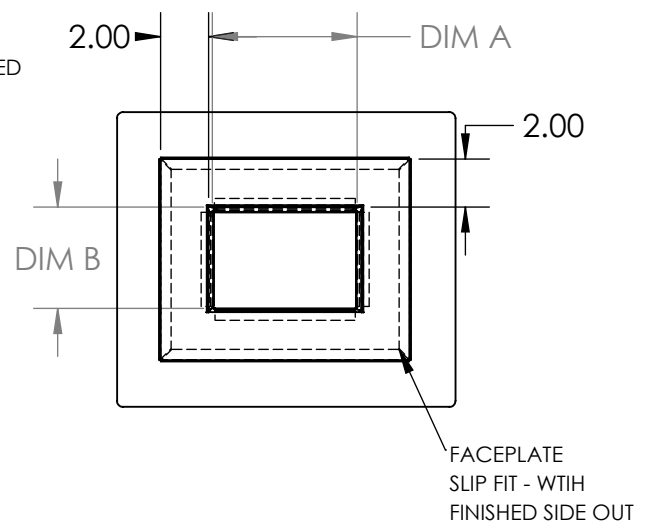
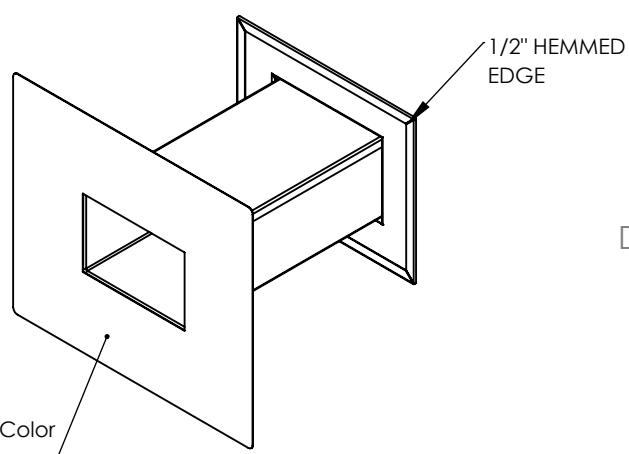
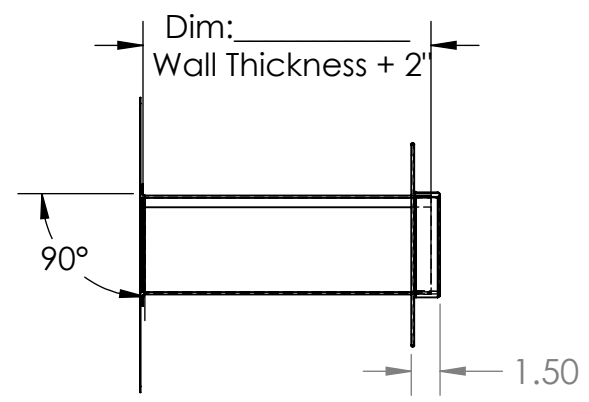
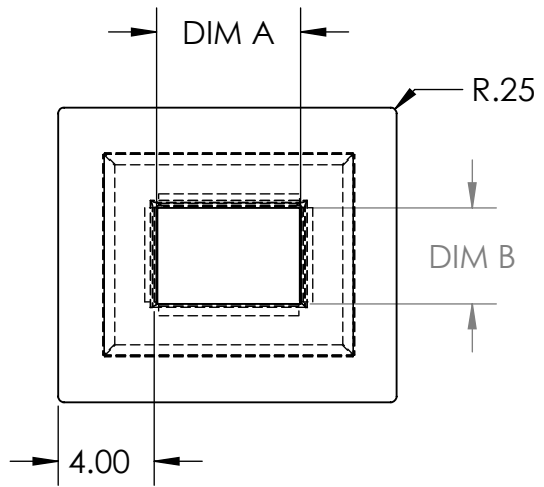
26ga GALV STEEL .050 ALUMINUM

24ga GALV STEEL .063 ALUMINUM

OTHER: _____

COLOR: _____

FINISH: _____



Please Indicate Color or Membrane type

FACEPLATE SLIP FIT - WITH FINISHED SIDE OUT

NOTES: Dimension A: _____ Dimension B: _____

ORDERED BY: _____ PHONE: _____

SHEET # _____ OF _____ REV.

EMAIL: _____

SCALE: _____

AUTHORIZED SIGNATURE: _____ DATE: _____

DIMENSIONS ARE IN INCHES UNLESS NOTED OTHERWISE

PROPRIETARY AND CONFIDENTIAL

THE INFORMATION CONTAINED IN THIS DRAWING IS THE SOLE PROPERTY OF ORIGINAL AUTHOR. ANY REPRODUCTION IN PART OR AS A WHOLE WITHOUT THE WRITTEN PERMISSION OF ORIGINAL AUTHOR IS PROHIBITED.

A Signed Print Approval Signifies a Contractor Has Verified All Dimensions, Sizes, Quantities and Material Types. Fabrication Can only Proceed Upon Receipt of Signed Print Approval and Purchase Order

Completed by: _____ Inspected By: _____



FORMWELL INDUSTRIES

SHEET METAL ORDER FORM

615-649-3714 // info@formwellindustries.com

PROJECT NAME: _____	
FORMWELL WO# _____	(office use only)
DUE DATE: _____	DATE SUBMITTED: _____
Part Name: <u>Collector Box - 1" Boxed Edge - CBX-BE</u>	
QUANTITY: _____	
In 10'-0" Lengths _____	

MATERIAL:

.040 ALUMINUM

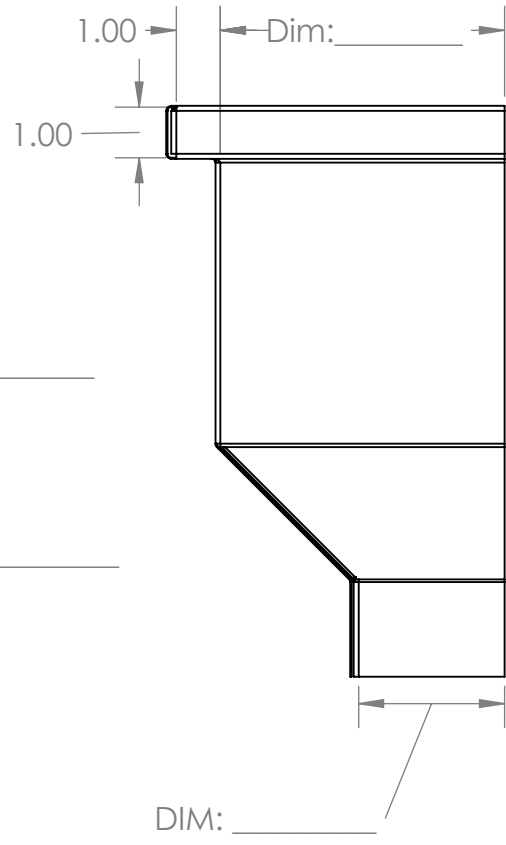
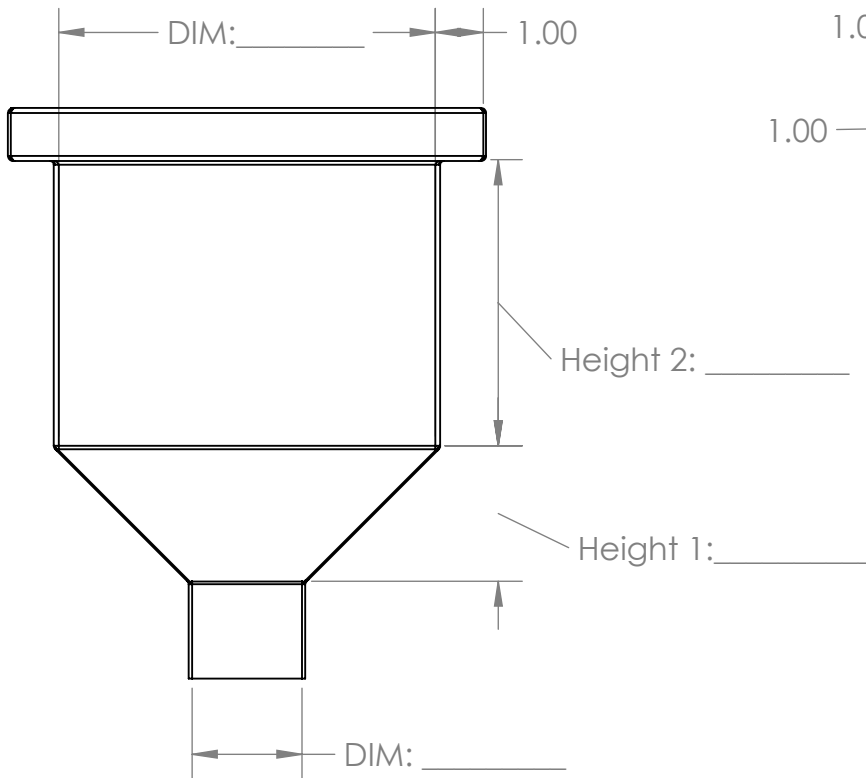
26ga GALV STEEL .050 ALUMINUM

24ga GALV STEEL .063 ALUMINUM

OTHER: _____

COLOR: _____

FINISH: _____



NOTES: _____

ORDERED BY: _____ PHONE: _____ SHEET # _____ OF _____ REV.

EMAIL: _____ SCALE: _____

AUTHORIZED SIGNATURE: _____ DATE: _____

DIMENSIONS ARE IN INCHES UNLESS NOTED OTHERWISE
PROPRIETARY AND CONFIDENTIAL
 THE INFORMATION CONTAINED IN THIS DRAWING IS THE SOLE PROPERTY OF ORIGINAL AUTHOR. ANY REPRODUCTION IN PART OR AS A WHOLE WITHOUT THE WRITTEN PERMISSION OF ORIGINAL AUTHOR IS PROHIBITED.

A Signed Print Approval Signifies a Contractor Has Verified All Dimensions, Sizes, Quantities and Material Types. Fabrication Can only Proceed Upon Receipt of Signed Print Approval and Purchase Order

Completed by: _____ Inspected By: _____



FORMWELL INDUSTRIES

SHEET METAL ORDER FORM

615-649-3714 // info@formwellindustries.com

PROJECT NAME: _____	
FORMWELL WO# _____	(office use only)
DUE DATE: _____	DATE SUBMITTED: _____
Part Name: <u>Gutter Hanger</u>	
QUANTITY: _____	
In 10'-0" Lengths	

MATERIAL:

.040 ALUMINUM

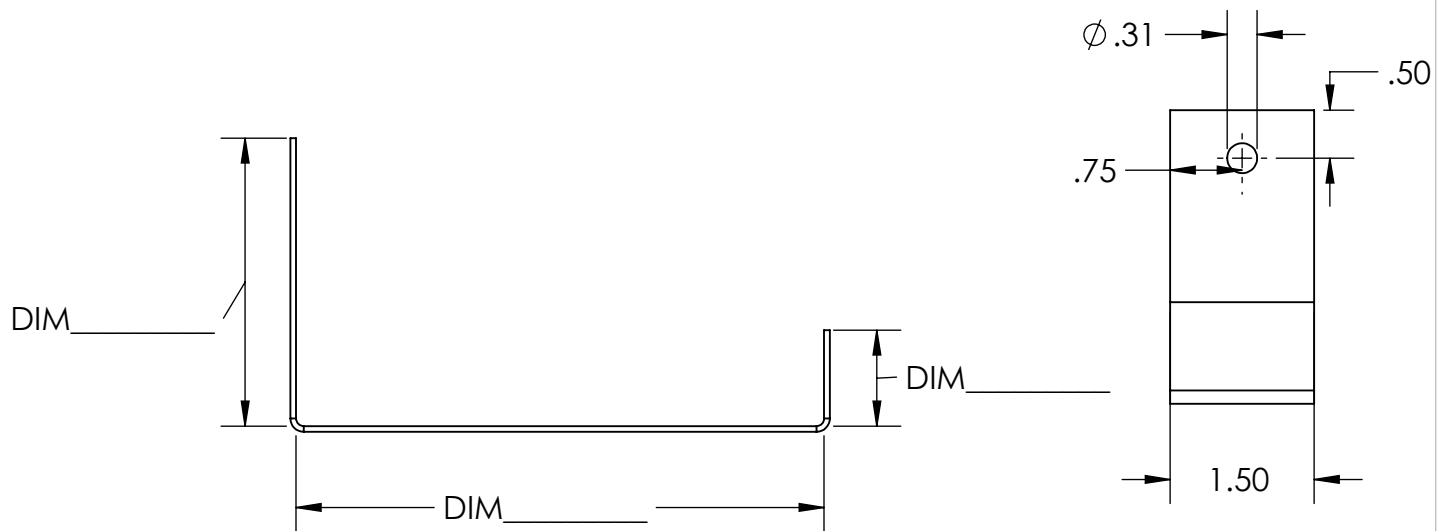
26ga GALV STEEL .050 ALUMINUM

24ga GALV STEEL .063 ALUMINUM

OTHER: _____

COLOR: _____

FINISH: _____



NOTES:

ORDERED BY: _____	PHONE: _____
-------------------	--------------

EMAIL: _____	SHEET # _____ OF _____
--------------	------------------------

AUTHORIZED SIGNATURE: _____ DATE: _____

DIMENSIONS ARE IN INCHES UNLESS NOTED OTHERWISE

PROPRIETARY AND CONFIDENTIAL

THE INFORMATION CONTAINED IN THIS DRAWING IS THE SOLE PROPERTY OF ORIGINAL AUTHOR. ANY REPRODUCTION IN PART OR AS A WHOLE WITHOUT THE WRITTEN PERMISSION OF ORIGINAL AUTHOR IS PROHIBITED.

A Signed Print Approval Signifies a Contractor Has Verified All Dimensions, Sizes, Quantities and Material Types. Fabrication Can only Proceed Upon Receipt of Signed Print Approval and Purchase Order

Completed by: _____ Inspected By: _____



FORMWELL INDUSTRIES

SHEET METAL ORDER FORM

615-649-3714 // info@formwellindustries.com

PROJECT NAME: _____

FORMWELL WO# _____ (office use only)

DUE DATE: _____ DATE SUBMITTED: _____

Part Name: Boxed Gutter - Flanged - GBX-WF

QUANTITY: _____

In 10'-0" Lengths _____

MATERIAL: .040 ALUMINUM

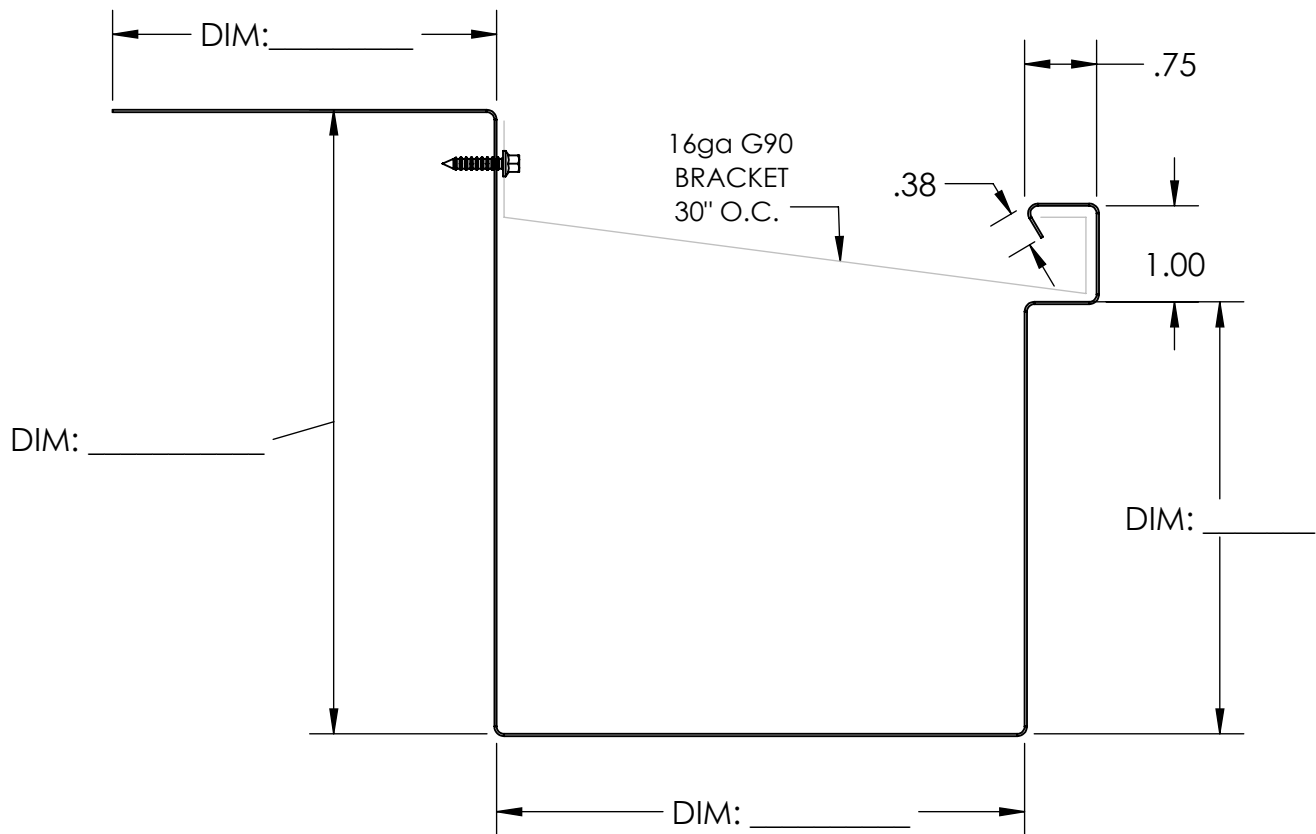
26ga GALV STEEL .050 ALUMINUM

24ga GALV STEEL .063 ALUMINUM

OTHER: _____

COLOR: _____

FINISH: _____



NOTES: _____

ORDERED BY: _____ PHONE: _____ SHEET # _____ OF _____ REV.

EMAIL: _____ SCALE: _____

AUTHORIZED SIGNATURE: _____ DATE: _____

A Signed Print Approval Signifies a Contractor Has Verified All Dimensions, Sizes, Quantities and Material Types. Fabrication Can only Proceed Upon Receipt of Signed Print Approval and Purchase Order

DIMENSIONS ARE IN INCHES UNLESS NOTED OTHERWISE

PROPRIETARY AND CONFIDENTIAL

THE INFORMATION CONTAINED IN THIS DRAWING IS THE SOLE PROPERTY OF ORIGINAL AUTHOR. ANY REPRODUCTION IN PART OR AS A WHOLE WITHOUT THE WRITTEN PERMISSION OF ORIGINAL AUTHOR IS PROHIBITED.

Completed by: _____ Inspected By: _____



FORMWELL INDUSTRIES

SHEET METAL ORDER FORM

615-649-3714 // info@formwellindustries.com

PROJECT NAME: _____

MATERIAL: .040 ALUMINUM

FORMWELL WO# _____ (office use only)

26ga GALV STEEL .050 ALUMINUM

DUE DATE: _____

DATE SUBMITTED: _____

24ga GALV STEEL .063 ALUMINUM

Part Name: BOXED GUTTER - GBX-NF

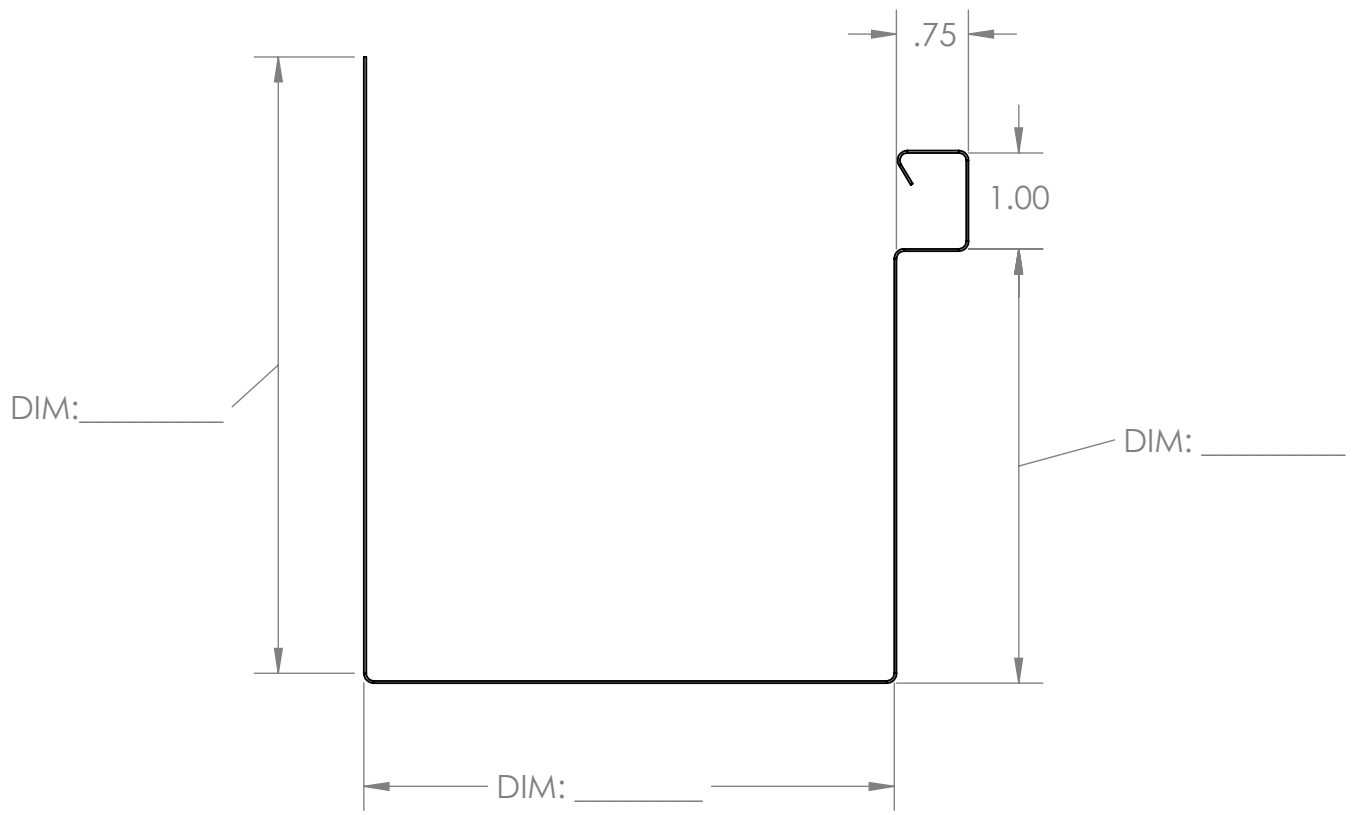
OTHER: _____

QUANTITY: _____

COLOR: _____

In 10'-0" Lengths

FINISH: _____



NOTES: _____

ORDERED BY: _____ PHONE: _____

SHEET # _____ OF _____ REV.

EMAIL: _____

SCALE: _____

AUTHORIZED SIGNATURE: _____ DATE: _____

DIMENSIONS ARE IN INCHES UNLESS NOTED OTHERWISE

PROPRIETARY AND CONFIDENTIAL

THE INFORMATION CONTAINED IN THIS DRAWING IS THE SOLE PROPERTY OF ORIGINAL AUTHOR. ANY REPRODUCTION IN PART OR AS A WHOLE WITHOUT THE WRITTEN PERMISSION OF ORIGINAL AUTHOR IS PROHIBITED.

A Signed Print Approval Signifies a Contractor Has Verified All Dimensions, Sizes, Quantities and Material Types. Fabrication Can only Proceed Upon Receipt of Signed Print Approval and Purchase Order

Completed by: _____ Inspected By: _____



FORMWELL INDUSTRIES

SHEET METAL ORDER FORM

615-649-3714 // info@formwellindustries.com

PROJECT NAME: _____

MATERIAL: .040 ALUMINUM

FORMWELL WO# _____ (office use only)

26ga GALV STEEL .050 ALUMINUM

DUE DATE: _____

DATE SUBMITTED: _____

24ga GALV STEEL .063 ALUMINUM

Part Name: Commercial Box Gutter W/Flange - GBC-WF

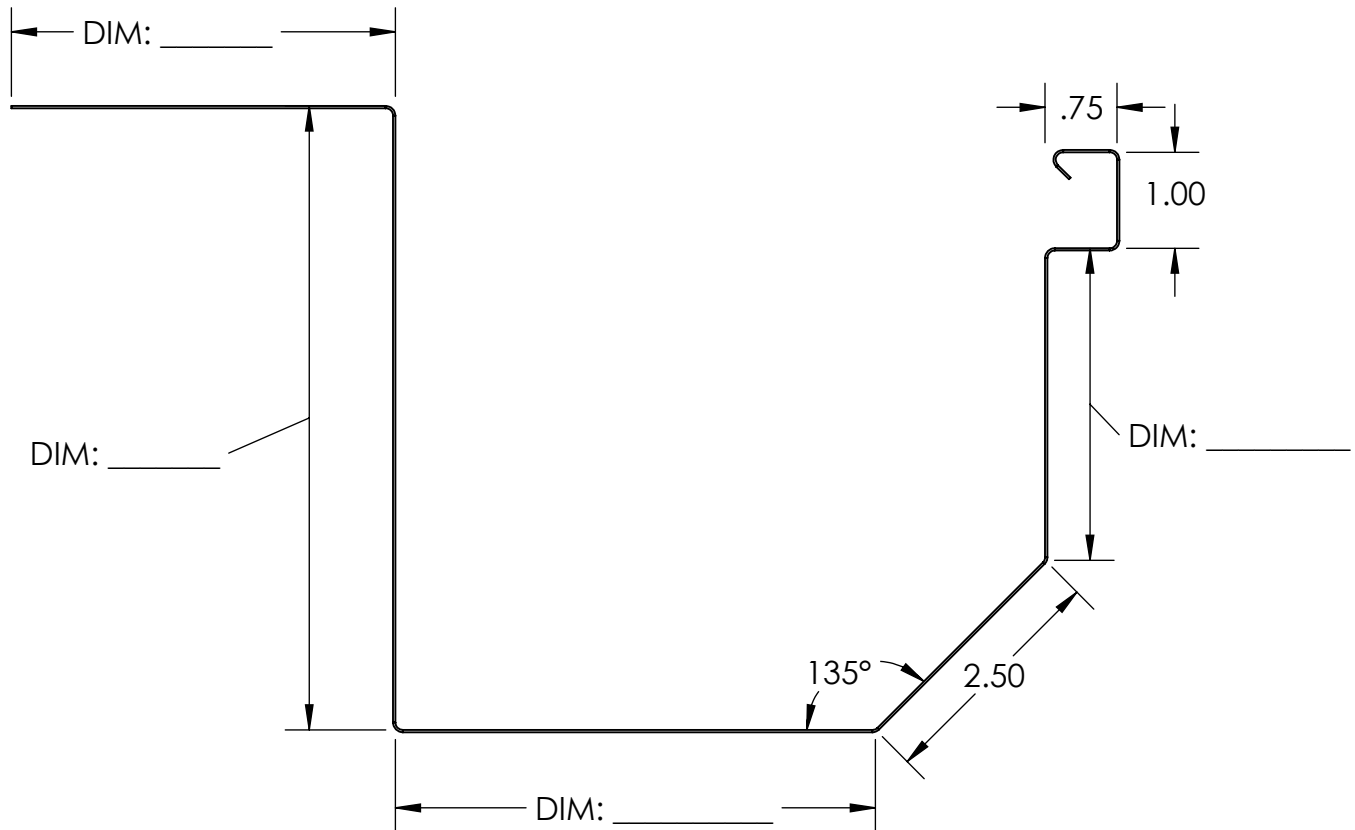
OTHER: _____

QUANTITY: _____

COLOR: _____

In 10'-0" Lengths _____

FINISH: _____



NOTES: _____

ORDERED BY: _____ PHONE: _____

SHEET # _____ OF _____ REV.

EMAIL: _____

SCALE: _____

AUTHORIZED SIGNATURE: _____ DATE: _____

DIMENSIONS ARE IN INCHES UNLESS NOTED OTHERWISE

PROPRIETARY AND CONFIDENTIAL

THE INFORMATION CONTAINED IN THIS DRAWING IS THE SOLE PROPERTY OF ORIGINAL AUTHOR. ANY REPRODUCTION IN PART OR AS A WHOLE WITHOUT THE WRITTEN PERMISSION OF ORIGINAL AUTHOR IS PROHIBITED.

A Signed Print Approval Signifies a Contractor Has Verified All Dimensions, Sizes, Quantities and Material Types. Fabrication Can only Proceed Upon Receipt of Signed Print Approval and Purchase Order

Completed by: _____ Inspected By: _____

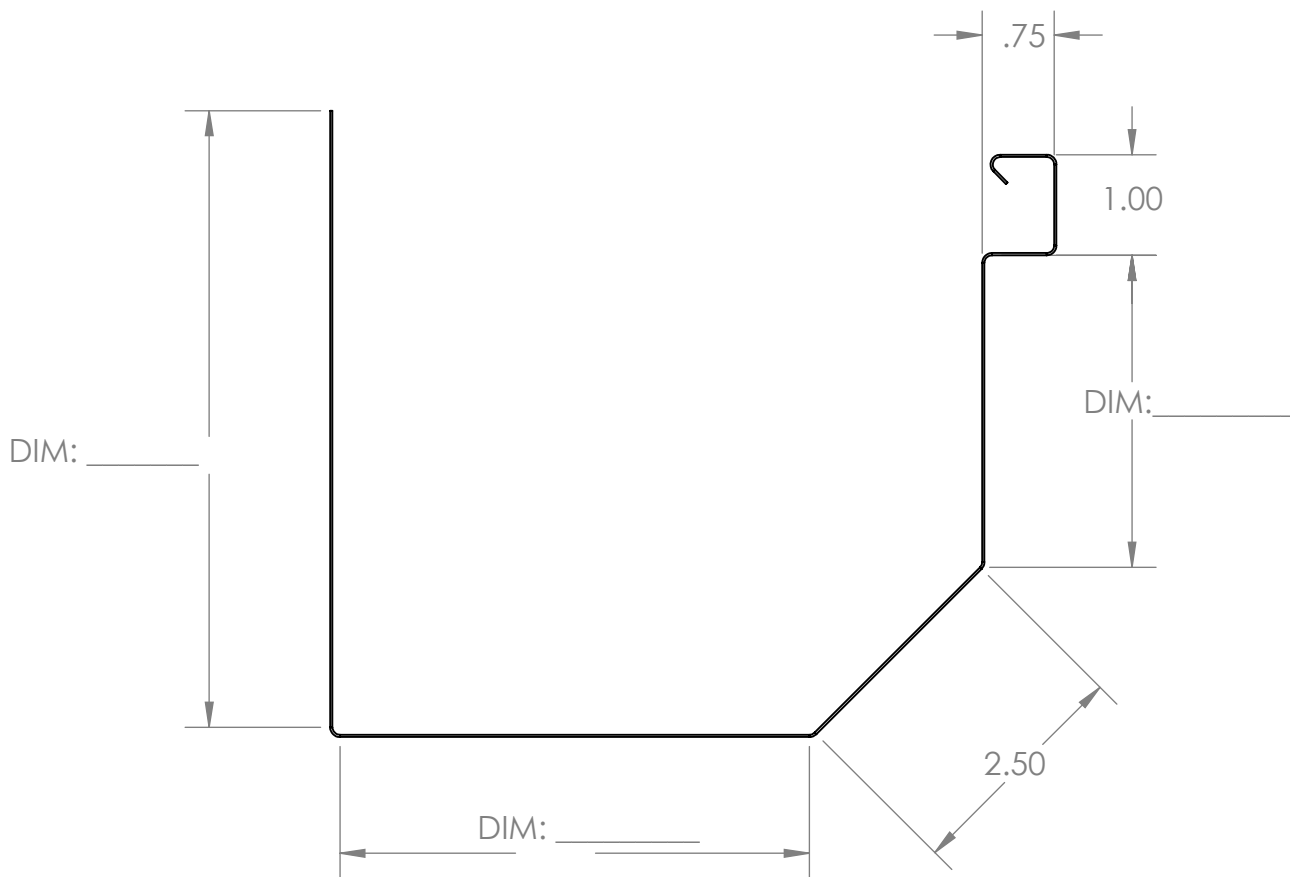


FORMWELL INDUSTRIES

SHEET METAL ORDER FORM

615-649-3714 // info@formwellindustries.com

PROJECT NAME: _____		MATERIAL: <input type="checkbox"/> .040 ALUMINUM	
FORMWELL WO# _____	(office use only)	<input type="checkbox"/> 26ga GALV STEEL	<input type="checkbox"/> .050 ALUMINUM
DUE DATE: _____	DATE SUBMITTED: _____	<input type="checkbox"/> 24ga GALV STEEL	<input type="checkbox"/> .063 ALUMINUM
Part Name: <u>Commercial Boxed Gutter wo/Flange</u>		<input type="checkbox"/> OTHER: _____	
QUANTITY: _____		COLOR: _____	
In 10'-0" Lengths		FINISH: _____	



20" Cut

NOTES:			
ORDERED BY: _____	PHONE: _____	SHEET # _____ OF _____	REV.
EMAIL: _____		SCALE: _____	
AUTHORIZED SIGNATURE: _____ DATE: _____		DIMENSIONS ARE IN INCHES UNLESS NOTED OTHERWISE PROPRIETARY AND CONFIDENTIAL THE INFORMATION CONTAINED IN THIS DRAWING IS THE SOLE PROPERTY OF ORIGINAL AUTHOR. ANY REPRODUCTION IN PART OR AS A WHOLE WITHOUT THE WRITTEN PERMISSION OF ORIGINAL AUTHOR IS PROHIBITED.	
A Signed Print Approval Signifies a Contractor Has Verified All Dimensions, Sizes, Quantities and Material Types. Fabrication Can only Proceed Upon Receipt of Signed Print Approval and Purchase Order			

Completed by: _____ Inspected By: _____



FORMWELL INDUSTRIES

SHEET METAL ORDER FORM

615-649-3714 // info@formwellindustries.com

PROJECT NAME: _____

FORMWELL WO# _____ (office use only)

DUE DATE: _____ DATE SUBMITTED: _____

Part Name: Sloped Face Gutter - With Flange

QUANTITY: _____

In 10'-0" Lengths _____

MATERIAL: .040 ALUMINUM

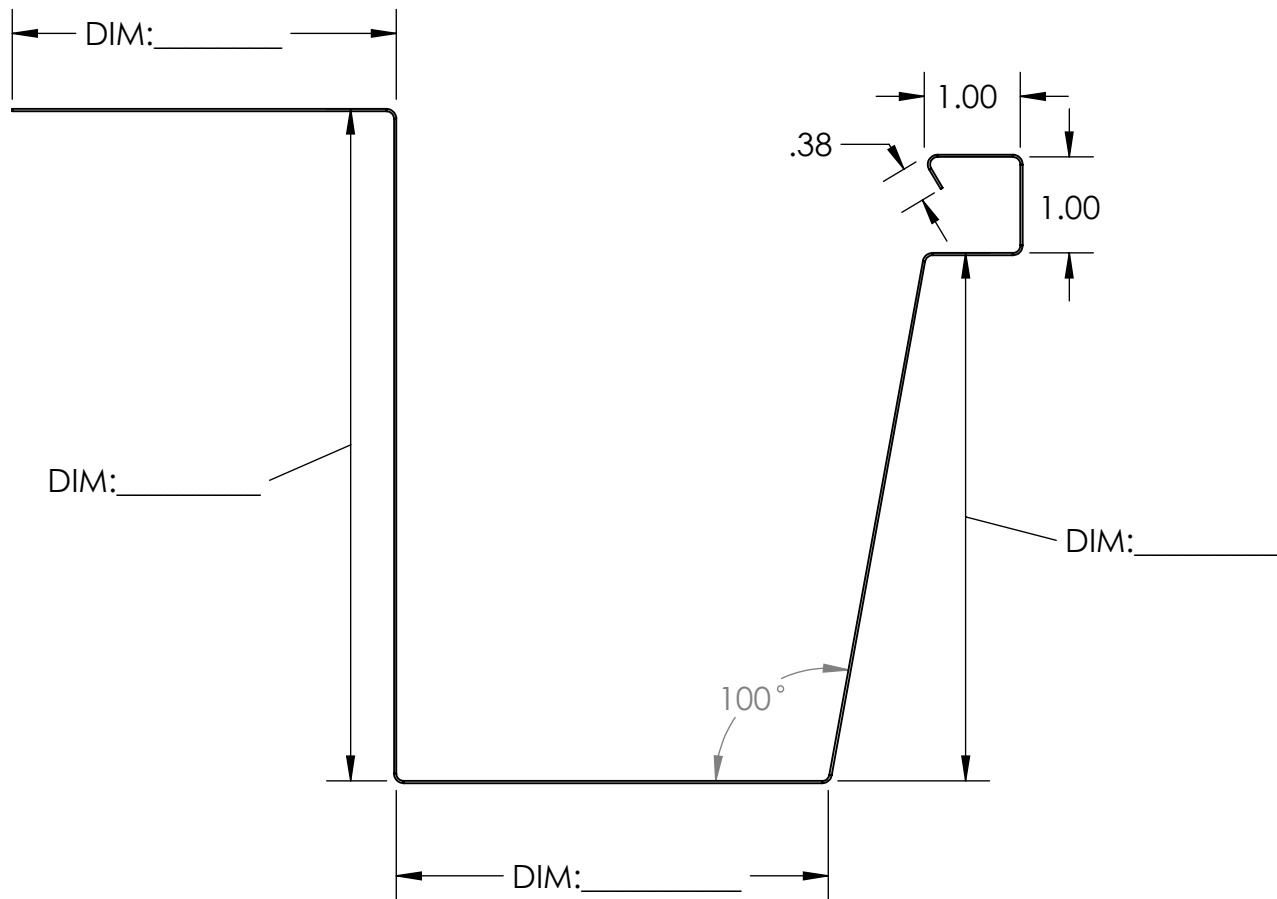
26ga GALV STEEL .050 ALUMINUM

24ga GALV STEEL .063 ALUMINUM

OTHER: _____

COLOR: _____

FINISH: _____



NOTES: _____

ORDERED BY: _____ PHONE: _____ SHEET # _____ OF _____ REV.

EMAIL: _____ SCALE: _____

AUTHORIZED SIGNATURE: _____ DATE: _____

DIMENSIONS ARE IN INCHES UNLESS NOTED OTHERWISE

PROPRIETARY AND CONFIDENTIAL

THE INFORMATION CONTAINED IN THIS DRAWING IS THE SOLE PROPERTY OF ORIGINAL AUTHOR. ANY REPRODUCTION IN PART OR AS A WHOLE WITHOUT THE WRITTEN PERMISSION OF ORIGINAL AUTHOR IS PROHIBITED.

A Signed Print Approval Signifies a Contractor Has Verified All Dimensions, Sizes, Quantities and Material Types. Fabrication Can only Proceed Upon Receipt of Signed Print Approval and Purchase Order

Completed by: _____ Inspected By: _____



FORMWELL INDUSTRIES

SHEET METAL ORDER FORM

615-649-3714 // info@formwellindustries.com

PROJECT NAME: _____

MATERIAL: .040 ALUMINUM

FORMWELL WO# _____ (office use only)

26ga GALV STEEL .050 ALUMINUM

DUE DATE: _____

DATE SUBMITTED: _____

24ga GALV STEEL .063 ALUMINUM

OTHER: _____

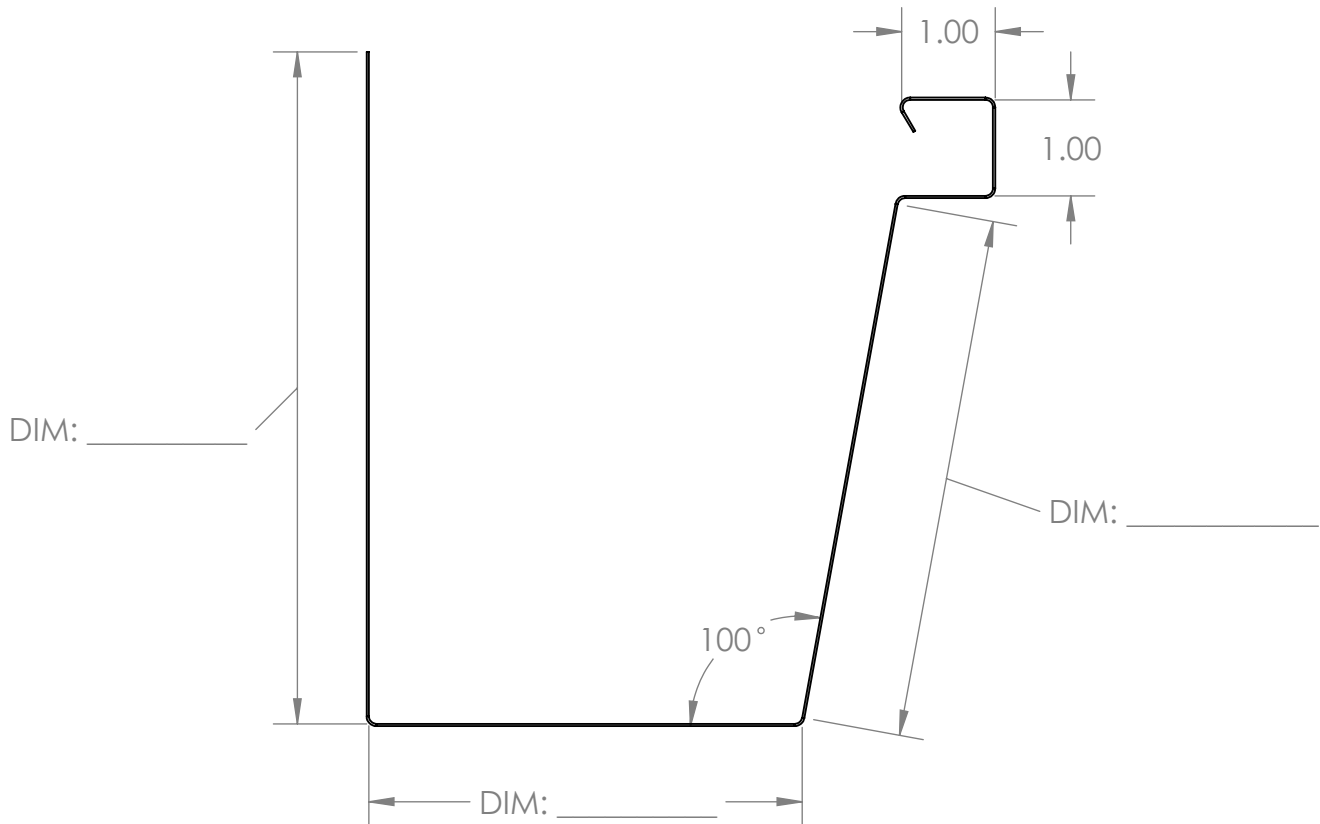
Part Name: Sloped Faced Gutter

QUANTITY: _____

COLOR: _____

In 10'-0" Lengths

FINISH: _____



NOTES: _____

ORDERED BY: _____ PHONE: _____

SHEET # _____ OF _____ REV.

EMAIL: _____

SCALE: _____

AUTHORIZED SIGNATURE: _____ DATE: _____

DIMENSIONS ARE IN INCHES UNLESS NOTED OTHERWISE

PROPRIETARY AND CONFIDENTIAL

THE INFORMATION CONTAINED IN THIS DRAWING IS THE SOLE PROPERTY OF ORIGINAL AUTHOR. ANY REPRODUCTION IN PART OR AS A WHOLE WITHOUT THE WRITTEN PERMISSION OF ORIGINAL AUTHOR IS PROHIBITED.

A Signed Print Approval Signifies a Contractor Has Verified All Dimensions, Sizes, Quantities and Material Types. Fabrication Can only Proceed Upon Receipt of Signed Print Approval and Purchase Order

Completed by: _____ Inspected By: _____



FORMWELL INDUSTRIES

SHEET METAL ORDER FORM

615-649-3714 // info@formwellindustries.com

PROJECT NAME: _____

MATERIAL: .040 ALUMINUM

FORMWELL WO# _____ (office use only)

26ga GALV STEEL .050 ALUMINUM

DUE DATE: _____

DATE SUBMITTED: _____

24ga GALV STEEL .063 ALUMINUM

Part Name: Downspout Outlet

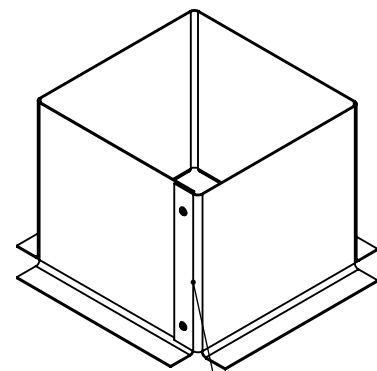
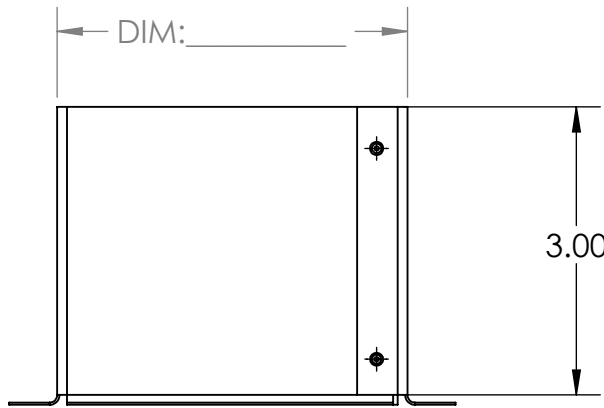
OTHER: _____

QUANTITY: _____

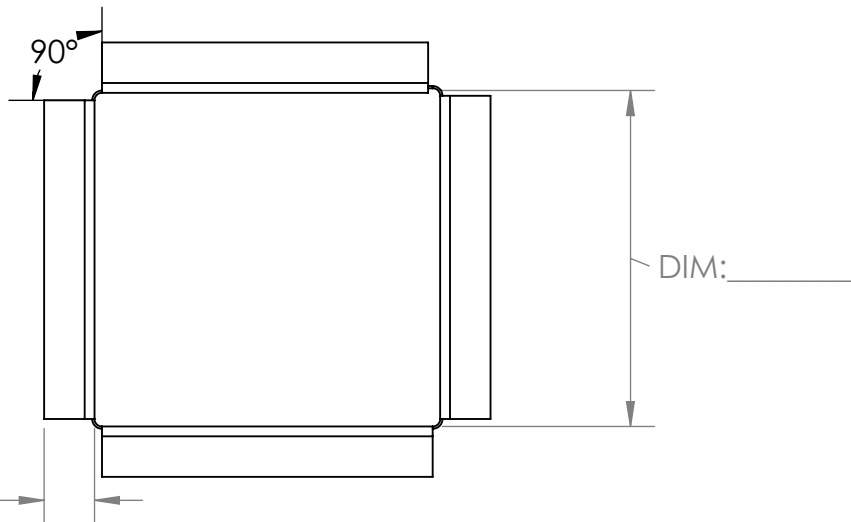
COLOR: _____

In 10'-0" Lengths _____

FINISH: _____



Sealant Applied To Lap Joint before Fastening



NOTES:

ORDERED BY: _____

PHONE: _____

SHEET # _____ OF _____

REV.

EMAIL: _____

SCALE: _____

AUTHORIZED SIGNATURE: _____ DATE: _____

DIMENSIONS ARE IN INCHES UNLESS NOTED OTHERWISE

PROPRIETARY AND CONFIDENTIAL

THE INFORMATION CONTAINED IN THIS DRAWING IS THE SOLE PROPERTY OF ORIGINAL AUTHOR. ANY REPRODUCTION IN PART OR AS A WHOLE WITHOUT THE WRITTEN PERMISSION OF ORIGINAL AUTHOR IS PROHIBITED.

A Signed Print Approval Signifies a Contractor Has Verified All Dimensions, Sizes, Quantities and Material Types. Fabrication Can only Proceed Upon Receipt of Signed Print Approval and Purchase Order

Completed by: _____ Inspected By: _____



FORMWELL INDUSTRIES

SHEET METAL ORDER FORM

615-649-3714 // info@formwellindustries.com

PROJECT NAME: _____	
FORMWELL WO# _____	(office use only)
DUE DATE: _____	DATE SUBMITTED: _____
Part Name: <u>Down Spout - Square - DSP-SQ</u>	
QUANTITY: _____	
In 10'-0" Lengths	

MATERIAL:

.040 ALUMINUM

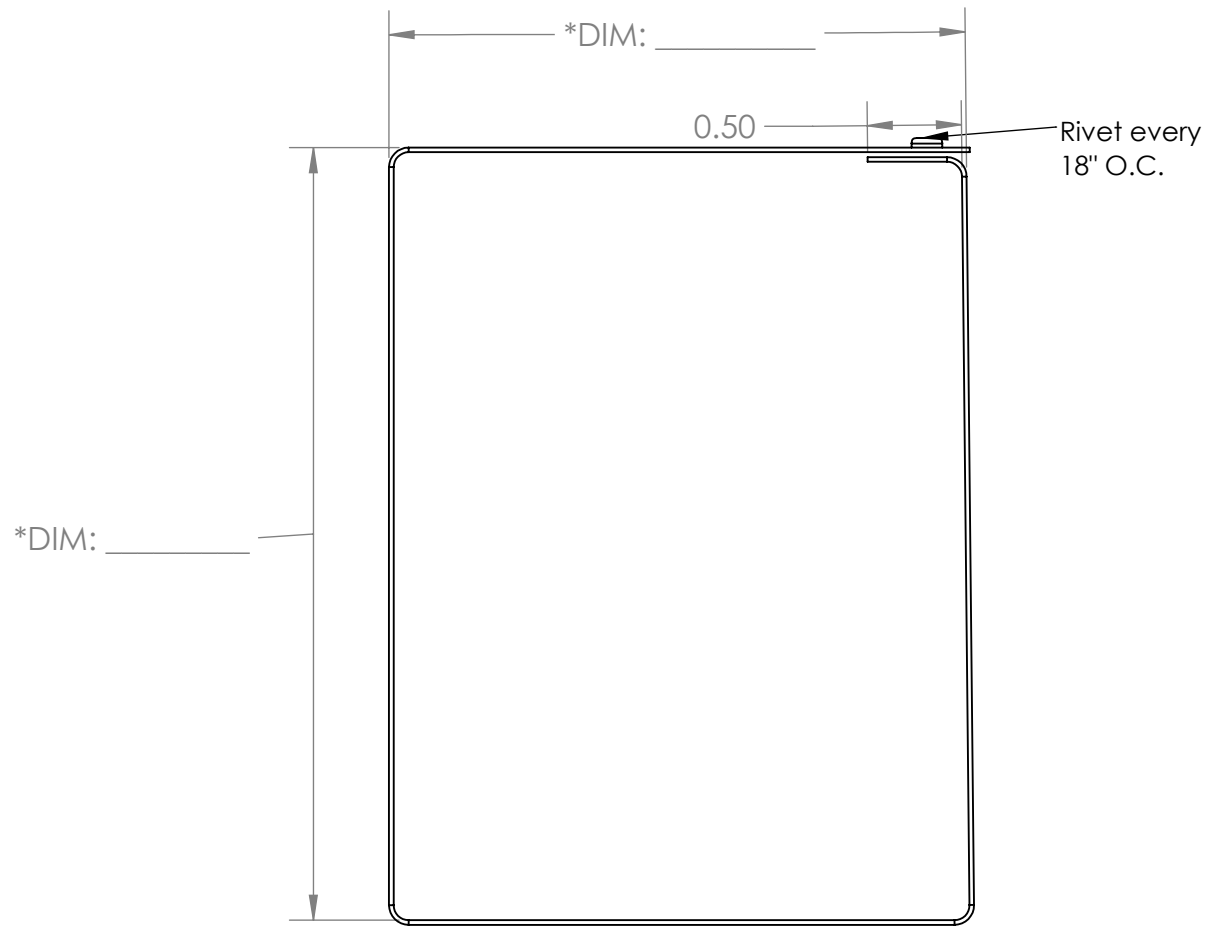
26ga GALV STEEL .050 ALUMINUM

24ga GALV STEEL .063 ALUMINUM

OTHER: _____

COLOR: _____

FINISH: _____



NOTES:			
ORDERED BY: _____	PHONE: _____	SHEET # _____ OF _____	REV.
EMAIL: _____		SCALE: _____	
AUTHORIZED SIGNATURE: _____ DATE: _____		DIMENSIONS ARE IN INCHES UNLESS NOTED OTHERWISE PROPRIETARY AND CONFIDENTIAL THE INFORMATION CONTAINED IN THIS DRAWING IS THE SOLE PROPERTY OF ORIGINAL AUTHOR. ANY REPRODUCTION IN PART OR AS A WHOLE WITHOUT THE WRITTEN PERMISSION OF ORIGINAL AUTHOR IS PROHIBITED.	
A Signed Print Approval Signifies a Contractor Has Verified All Dimensions, Sizes, Quantities and Material Types. Fabrication Can only Proceed Upon Receipt of Signed Print Approval and Purchase Order			

Completed by: _____ Inspected By: _____



FORMWELL INDUSTRIES

SHEET METAL ORDER FORM

615-649-3714 // info@formwellindustries.com

PROJECT NAME: _____	
FORMWELL WO# _____	(office use only)
DUE DATE: _____	DATE SUBMITTED: _____
Part Name: <u>Down Spout Extension</u>	
QUANTITY: _____	
In 10'-0" Lengths	

MATERIAL:

.040 ALUMINUM

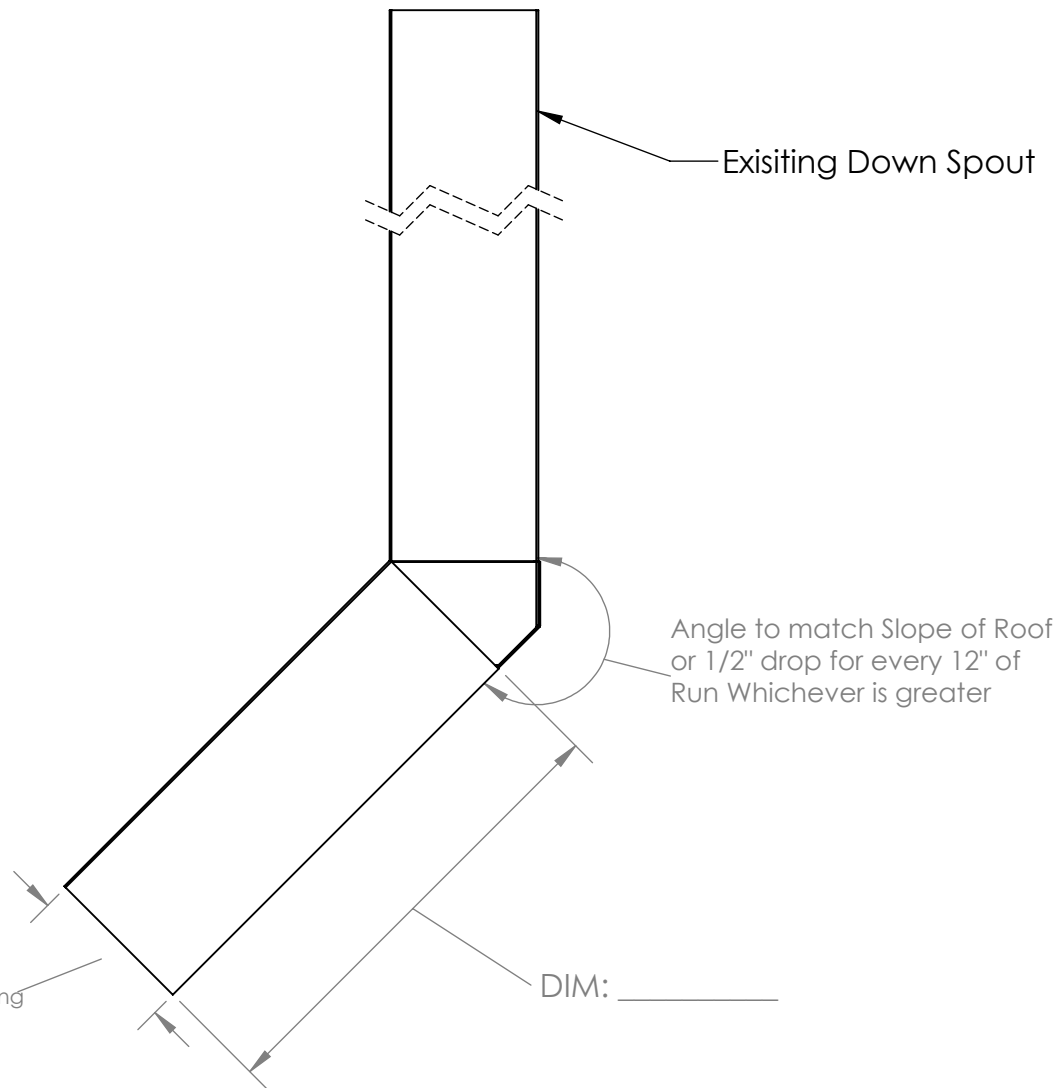
26ga GALV STEEL .050 ALUMINUM

24ga GALV STEEL .063 ALUMINUM

OTHER: _____

COLOR: _____

FINISH: _____



NOTES: _____

ORDERED BY: _____	PHONE: _____	SHEET # _____ OF _____	REV.
-------------------	--------------	------------------------	------

EMAIL: _____	SCALE: _____
--------------	--------------

AUTHORIZED SIGNATURE: _____ DATE: _____

DIMENSIONS ARE IN INCHES UNLESS NOTED OTHERWISE

PROPRIETARY AND CONFIDENTIAL

THE INFORMATION CONTAINED IN THIS DRAWING IS THE SOLE PROPERTY OF ORIGINAL AUTHOR. ANY REPRODUCTION IN PART OR AS A WHOLE WITHOUT THE WRITTEN PERMISSION OF ORIGINAL AUTHOR IS PROHIBITED.

A Signed Print Approval Signifies a Contractor Has Verified All Dimensions, Sizes, Quantities and Material Types. Fabrication Can only Proceed Upon Receipt of Signed Print Approval and Purchase Order

Completed by: _____ Inspected By: _____



FORMWELL INDUSTRIES

SHEET METAL ORDER FORM

615-649-3714 // info@formwellindustries.com

PROJECT NAME: _____

MATERIAL: .040 ALUMINUM

FORMWELL WO# _____ (office use only)

26ga GALV STEEL .050 ALUMINUM

DUE DATE: _____

DATE SUBMITTED: _____

24ga GALV STEEL .063 ALUMINUM

Part Name: Down Spout Strap

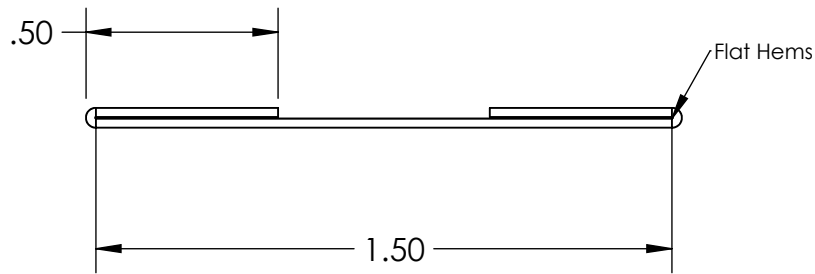
OTHER: _____

QUANTITY: _____

COLOR: _____

In 10'-0" Lengths _____

FINISH: _____



NOTES: _____

ORDERED BY: _____ PHONE: _____

SHEET # _____ OF _____ REV.

EMAIL: _____

SCALE: _____

AUTHORIZED SIGNATURE: _____ DATE: _____

DIMENSIONS ARE IN INCHES UNLESS NOTED OTHERWISE

PROPRIETARY AND CONFIDENTIAL

THE INFORMATION CONTAINED IN THIS DRAWING IS THE SOLE PROPERTY OF ORIGINAL AUTHOR. ANY REPRODUCTION IN PART OR AS A WHOLE WITHOUT THE WRITTEN PERMISSION OF ORIGINAL AUTHOR IS PROHIBITED.

A Signed Print Approval Signifies a Contractor Has Verified All Dimensions, Sizes, Quantities and Material Types. Fabrication Can only Proceed Upon Receipt of Signed Print Approval and Purchase Order

Completed by: _____ Inspected By: _____

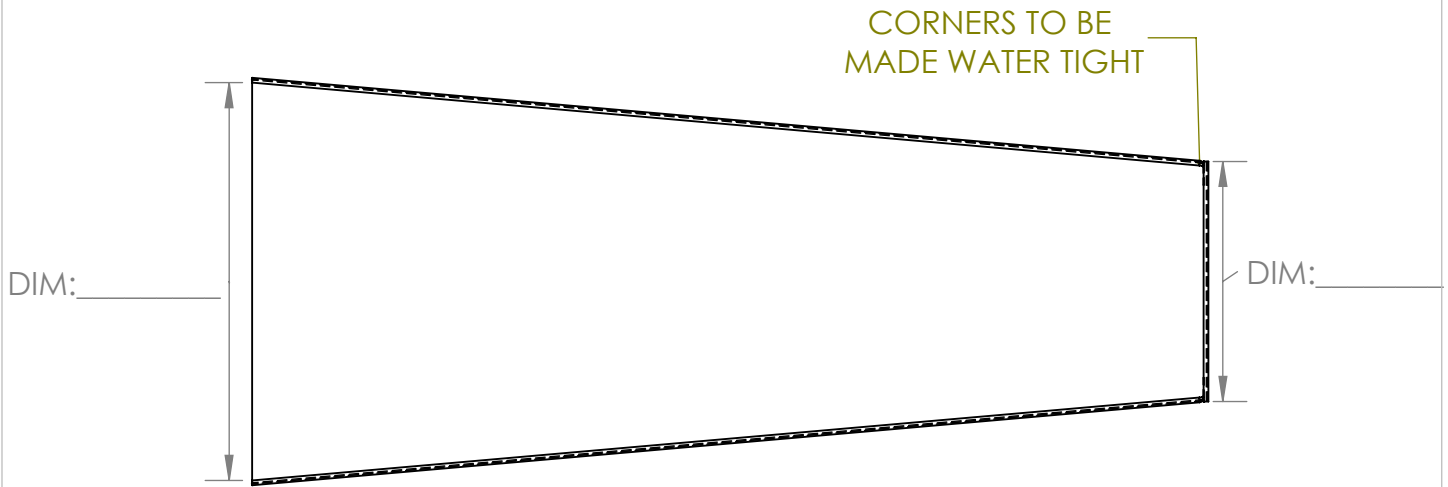
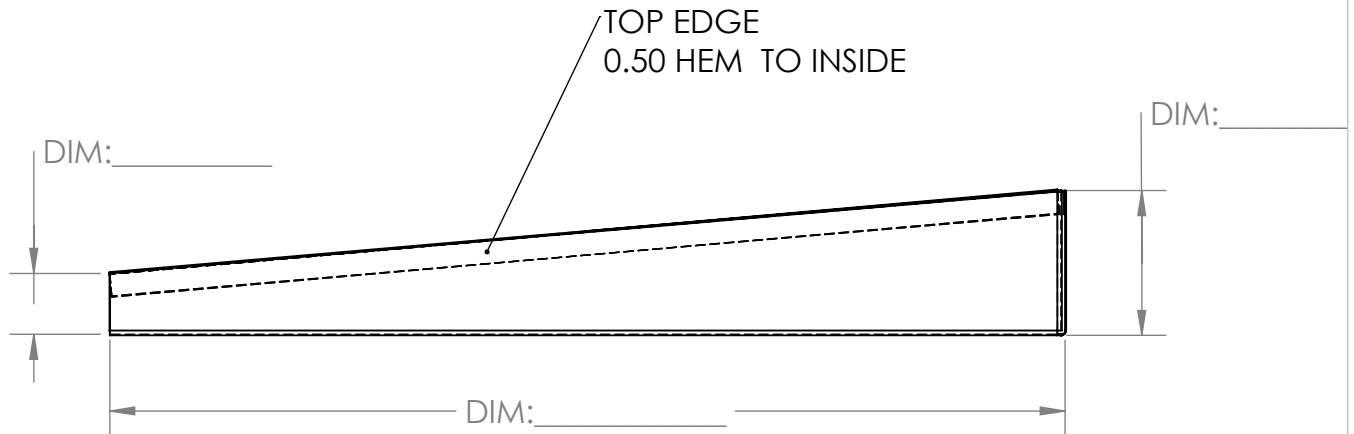


FORMWELL INDUSTRIES

SHEET METAL ORDER FORM

615-649-3714 // info@formwellindustries.com

PROJECT NAME: _____		MATERIAL: <input type="checkbox"/> .040 ALUMINUM	
FORMWELL WO# _____	(office use only)	<input type="checkbox"/> 26ga GALV STEEL	<input type="checkbox"/> .050 ALUMINUM
DUE DATE: _____	DATE SUBMITTED: _____	<input type="checkbox"/> 24ga GALV STEEL	<input type="checkbox"/> .063 ALUMINUM
Part Name: <u>Splash Pan - Rain Diverter</u>		<input type="checkbox"/> OTHER: _____	
QUANTITY: _____		COLOR: _____	
		FINISH: _____	



NOTES:			
ORDERED BY: _____	PHONE: _____	SHEET # _____ OF _____	REV.
EMAIL: _____		SCALE: _____	
AUTHORIZED SIGNATURE: _____ DATE: _____		DIMENSIONS ARE IN INCHES UNLESS NOTED OTHERWISE PROPRIETARY AND CONFIDENTIAL THE INFORMATION CONTAINED IN THIS DRAWING IS THE SOLE PROPERTY OF ORIGINAL AUTHOR. ANY REPRODUCTION IN PART OR AS A WHOLE WITHOUT THE WRITTEN PERMISSION OF ORIGINAL AUTHOR IS PROHIBITED.	
A Signed Print Approval Signifies a Contractor Has Verified All Dimensions, Sizes, Quantities and Material Types. Fabrication Can only Proceed Upon Receipt of Signed Print Approval and Purchase Order			

Completed by: _____ Inspected By: _____



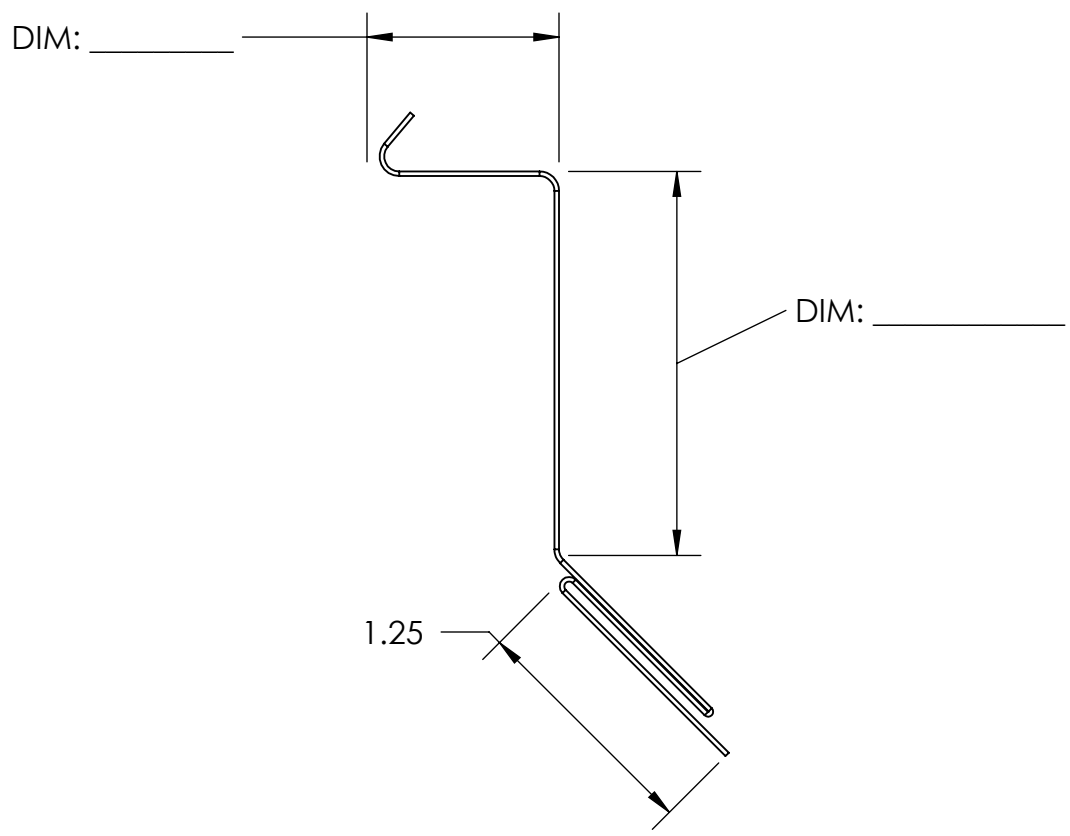
FORMWELL INDUSTRIES

SHEET METAL ORDER FORM

615-649-3714 // info@formwellindustries.com

PROJECT NAME: _____	
FORMWELL WO# _____	(office use only)
DUE DATE: _____	DATE SUBMITTED: _____
Part Name: <u>2 Piece Counter Flashing - Reglet Mounted Receiver</u>	
QUANTITY: _____	
In 10'-0" Lengths	

MATERIAL: .040 ALUMINUM
 26ga GALV STEEL .050 ALUMINUM
 24ga GALV. STEEL .063 ALUMINUM
 OTHER: _____
 COLOR: _____
 FINISH: _____



NOTES:			
ORDERED BY: _____	PHONE: _____	SHEET # _____ OF _____	REV.
EMAIL: _____		SCALE: _____	
AUTHORIZED SIGNATURE: _____ DATE: _____		DIMENSIONS ARE IN INCHES UNLESS NOTED OTHERWISE PROPRIETARY AND CONFIDENTIAL THE INFORMATION CONTAINED IN THIS DRAWING IS THE SOLE PROPERTY OF ORIGINAL AUTHOR. ANY REPRODUCTION IN PART OR AS A WHOLE WITHOUT THE WRITTEN PERMISSION OF ORIGINAL AUTHOR IS PROHIBITED.	
A Signed Print Approval Signifies a Contractor Has Verified All Dimensions, Sizes, Quantities and Material Types. Fabrication Can only Proceed Upon Receipt of Signed Print Approval and Purchase Order			

Completed by: _____ Inspected By: _____



FORMWELL INDUSTRIES

SHEET METAL ORDER FORM

615-649-3714 // info@formwellindustries.com

PROJECT NAME: _____

MATERIAL: .040 ALUMINUM

FORMWELL WO# _____ (office use only)

26ga GALV STEEL .050 ALUMINUM

DUE DATE: _____

DATE SUBMITTED: _____

24ga GALV STEEL .063 ALUMINUM

Part Name: 2 Piece Through Wall Counter Flashing - Receiver

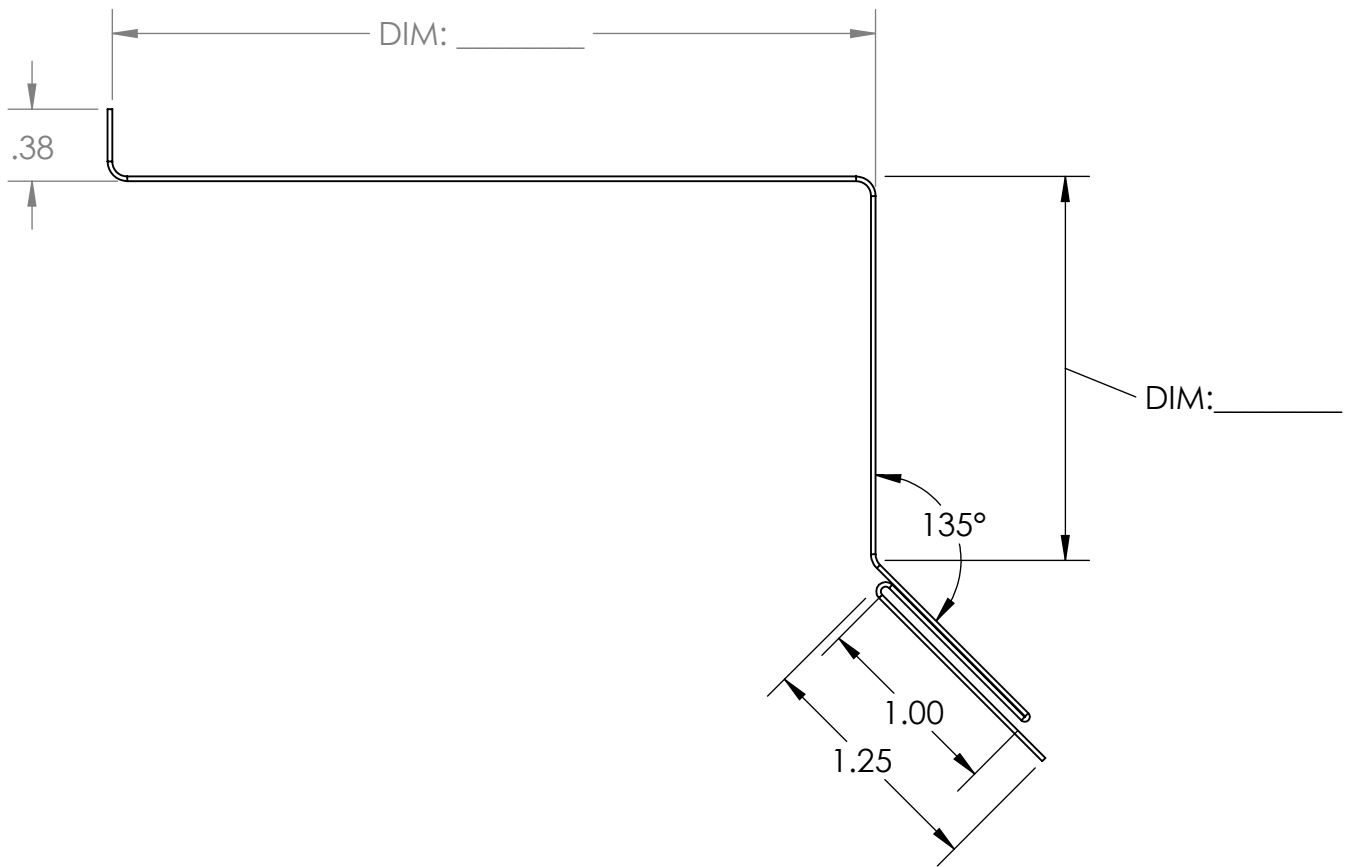
OTHER: _____

QUANTITY: _____

COLOR: _____

In 10'-0" Lengths _____

FINISH: _____



NOTES: _____

ORDERED BY: _____ PHONE: _____

SHEET # _____ OF _____ REV.

EMAIL: _____

SCALE: _____

AUTHORIZED SIGNATURE: _____ DATE: _____

DIMENSIONS ARE IN INCHES UNLESS NOTED OTHERWISE

PROPRIETARY AND CONFIDENTIAL

THE INFORMATION CONTAINED IN THIS DRAWING IS THE SOLE PROPERTY OF ORIGINAL AUTHOR. ANY REPRODUCTION IN PART OR AS A WHOLE WITHOUT THE WRITTEN PERMISSION OF ORIGINAL AUTHOR IS PROHIBITED.

A Signed Print Approval Signifies a Contractor Has Verified All Dimensions, Sizes, Quantities and Material Types. Fabrication Can only Proceed Upon Receipt of Signed Print Approval and Purchase Order

Completed by: _____ Inspected By: _____



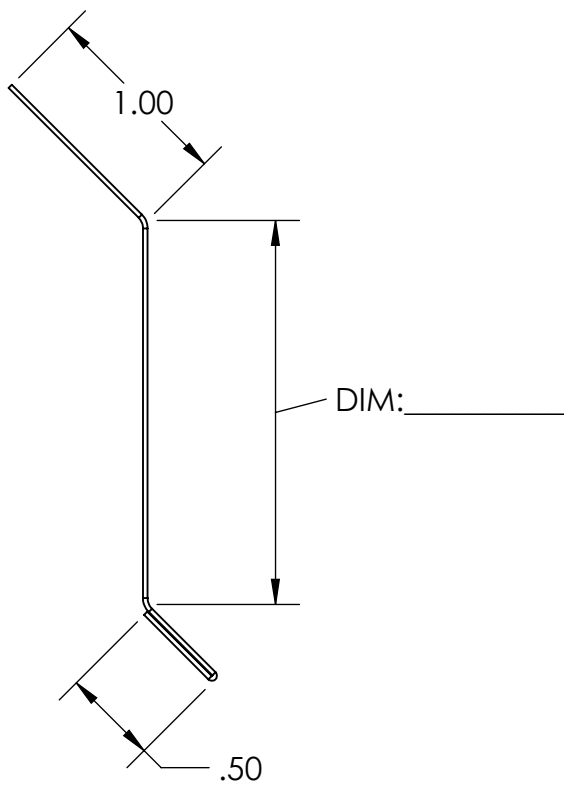
FORMWELL INDUSTRIES

SHEET METAL ORDER FORM

615-649-3714 // info@formwellindustries.com

PROJECT NAME: _____	
FORMWELL WO# _____	(office use only)
DUE DATE: _____	DATE SUBMITTED: _____
Part Name: <u>2 Piece Counter Flashing - Flashing</u>	
QUANTITY: _____	
In 10'-0" Lengths	

MATERIAL: .040 ALUMINUM
 26ga GALV STEEL .050 ALUMINUM
 24ga GALV STEEL .063 ALUMINUM
 OTHER: _____
 COLOR: _____
 FINISH: _____



NOTES:		
ORDERED BY: _____	PHONE: _____	SHEET # _____ OF _____ REV.
EMAIL: _____		SCALE: _____
AUTHORIZED SIGNATURE: _____ DATE: _____		DIMENSIONS ARE IN INCHES UNLESS NOTED OTHERWISE PROPRIETARY AND CONFIDENTIAL THE INFORMATION CONTAINED IN THIS DRAWING IS THE SOLE PROPERTY OF ORIGINAL AUTHOR. ANY REPRODUCTION IN PART OR AS A WHOLE WITHOUT THE WRITTEN PERMISSION OF ORIGINAL AUTHOR IS PROHIBITED.
A Signed Print Approval Signifies a Contractor Has Verified All Dimensions, Sizes, Quantities and Material Types. Fabrication Can only Proceed Upon Receipt of Signed Print Approval and Purchase Order		

Completed by: _____ Inspected By: _____



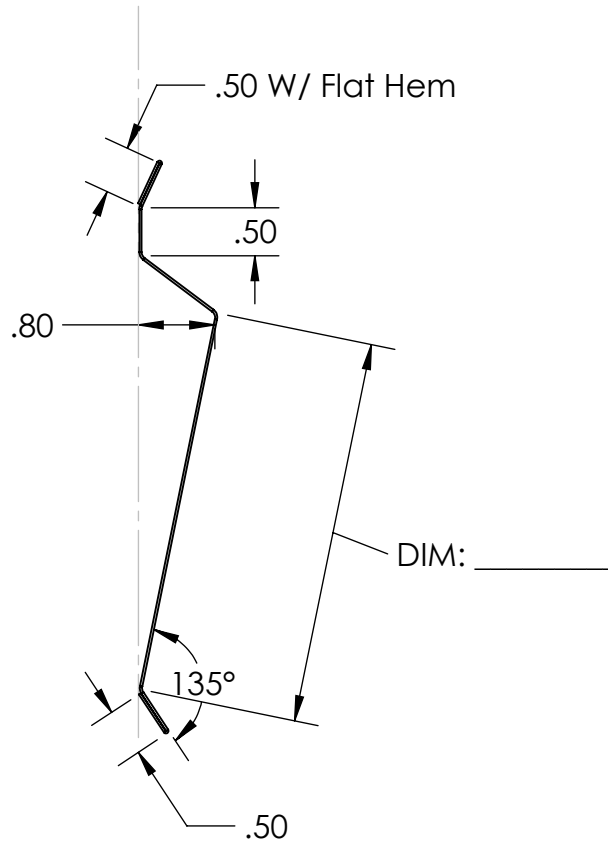
FORMWELL INDUSTRIES

SHEET METAL ORDER FORM

615-649-3714 // info@formwellindustries.com

PROJECT NAME:	
FORMWELL WO#	(office use only)
DUE DATE:	DATE SUBMITTED:
Part Name:	Counter Flashing - Surface Mounted
QUANTITY:	
In 10'-0" Lengths	

MATERIAL: .040 ALUMINUM
 26ga GALV STEEL .050 ALUMINUM
 24ga GALV STEEL .063 ALUMINUM
 OTHER: _____
 COLOR: _____
 FINISH: _____



NOTES:

ORDERED BY:	PHONE:	SHEET # _____ OF _____	REV.
-------------	--------	------------------------	------

EMAIL:	SCALE:
--------	--------

AUTHORIZED SIGNATURE: _____	DATE: _____
-----------------------------	-------------

DIMENSIONS ARE IN INCHES UNLESS NOTED OTHERWISE
PROPRIETARY AND CONFIDENTIAL
 THE INFORMATION CONTAINED IN THIS DRAWING IS THE SOLE PROPERTY OF ORIGINAL AUTHOR. ANY REPRODUCTION IN PART OR AS A WHOLE WITHOUT THE WRITTEN PERMISSION OF ORIGINAL AUTHOR IS PROHIBITED.

A Signed Print Approval Signifies a Contractor Has Verified All Dimensions, Sizes, Quantities and Material Types. Fabrication Can only Proceed Upon Receipt of Signed Print Approval and Purchase Order

Completed by: _____ Inspected By: _____



FORMWELL INDUSTRIES

SHEET METAL ORDER FORM

615-649-3714 // info@formwellindustries.com

PROJECT NAME: _____	
FORMWELL WO# _____	(office use only)
DUE DATE: _____	DATE SUBMITTED: _____
Part Name: <u>Head Wall Flashing</u>	_____
QUANTITY: _____	_____
In 10'-0" Lengths	

MATERIAL:

.040 ALUMINUM

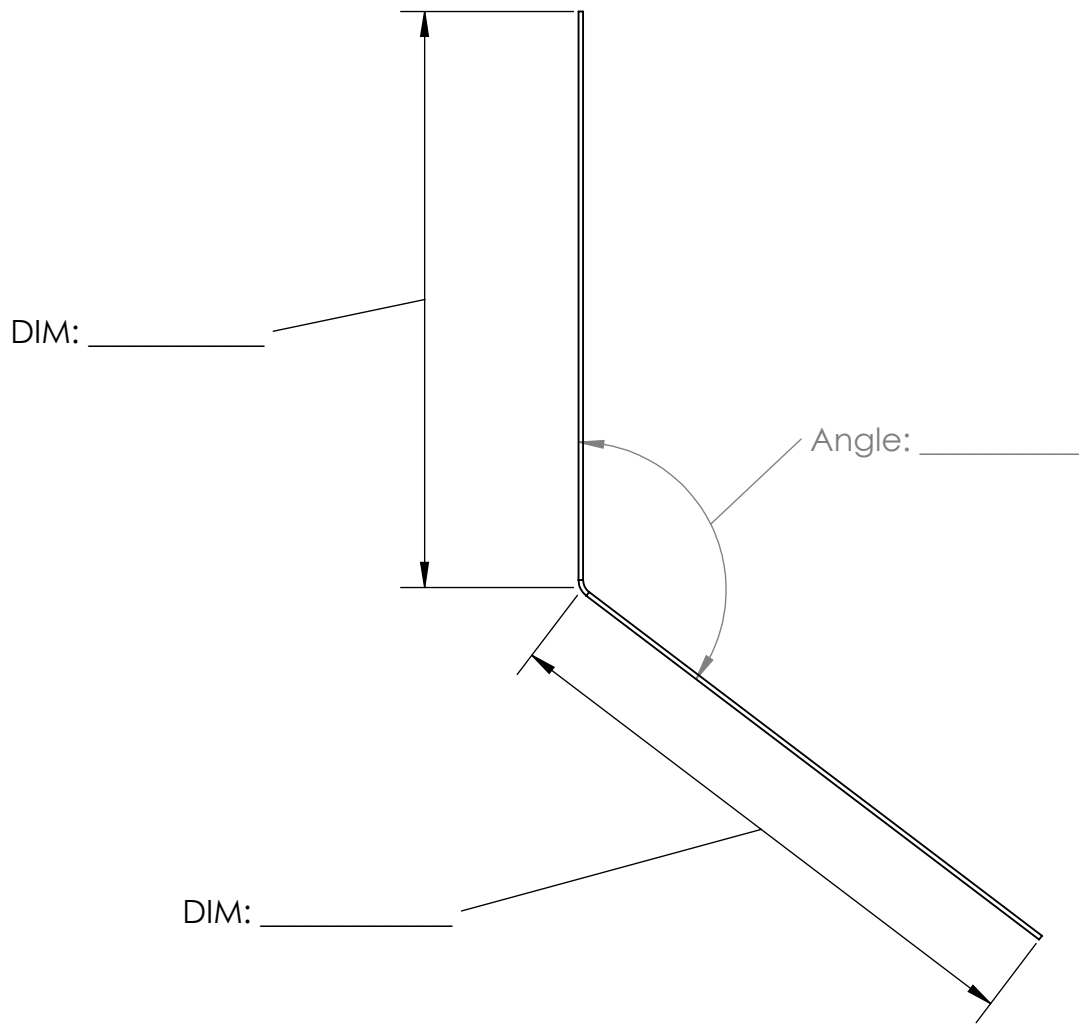
26ga GALV STEEL .050 ALUMINUM

24ga GALV STEEL .063 ALUMINUM

OTHER: _____

COLOR: _____

FINISH: _____



NOTES:			
ORDERED BY: _____	PHONE: _____	SHEET # _____ OF _____	REV.
EMAIL: _____		SCALE: _____	
AUTHORIZED SIGNATURE: _____ DATE: _____		DIMENSIONS ARE IN INCHES UNLESS NOTED OTHERWISE PROPRIETARY AND CONFIDENTIAL THE INFORMATION CONTAINED IN THIS DRAWING IS THE SOLE PROPERTY OF ORIGINAL AUTHOR. ANY REPRODUCTION IN PART OR AS A WHOLE WITHOUT THE WRITTEN PERMISSION OF ORIGINAL AUTHOR IS PROHIBITED.	
A Signed Print Approval Signifies a Contractor Has Verified All Dimensions, Sizes, Quantities and Material Types. Fabrication Can only Proceed Upon Receipt of Signed Print Approval and Purchase Order			

Completed by: _____ Inspected By: _____



FORMWELL INDUSTRIES

SHEET METAL ORDER FORM

615-649-3714 // info@formwellindustries.com

PROJECT NAME: _____

MATERIAL: .040 ALUMINUM

FORMWELL WO# _____ (office use only)

26ga GALV STEEL .050 ALUMINUM

DUE DATE: _____

DATE SUBMITTED: _____

24ga GALV STEEL .063 ALUMINUM

OTHER: _____

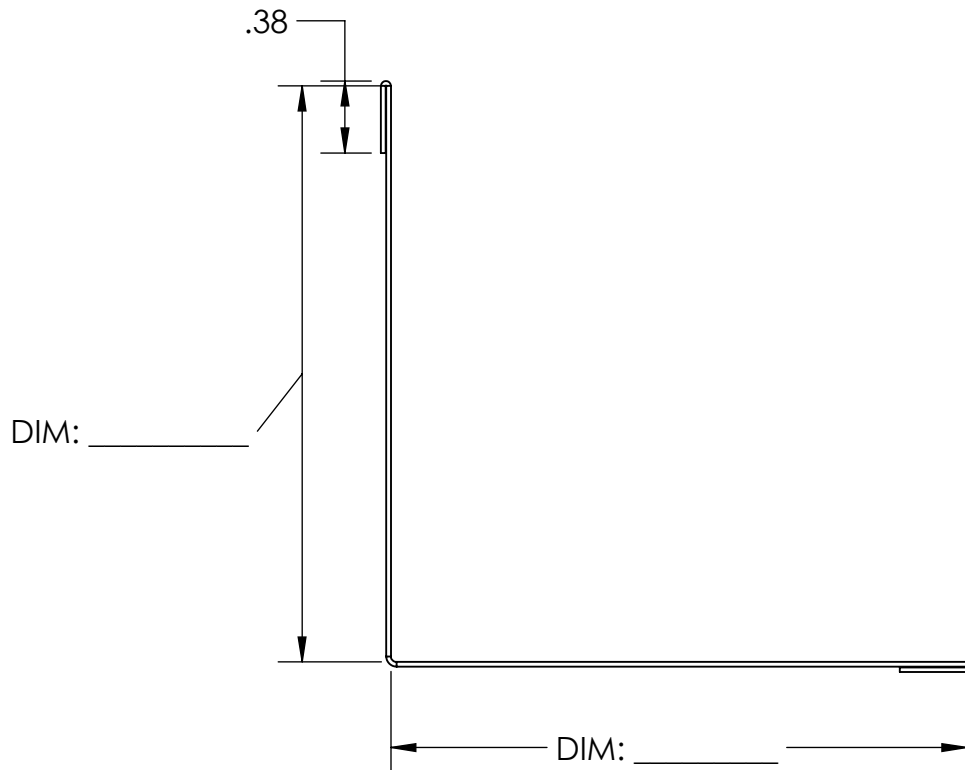
Part Name: INSIDE ANGLE FLASHING

QUANTITY: _____

COLOR: _____

In 10'-0" Lengths

FINISH: _____



NOTES: _____

ORDERED BY: _____ PHONE: _____

SHEET # _____ OF _____ REV.

EMAIL: _____

SCALE: _____

AUTHORIZED SIGNATURE: _____ DATE: _____

DIMENSIONS ARE IN INCHES UNLESS NOTED OTHERWISE

PROPRIETARY AND CONFIDENTIAL

THE INFORMATION CONTAINED IN THIS DRAWING IS THE SOLE PROPERTY OF ORIGINAL AUTHOR. ANY REPRODUCTION IN PART OR AS A WHOLE WITHOUT THE WRITTEN PERMISSION OF ORIGINAL AUTHOR IS PROHIBITED.

A Signed Print Approval Signifies a Contractor Has Verified All Dimensions, Sizes, Quantities and Material Types. Fabrication Can only Proceed Upon Receipt of Signed Print Approval and Purchase Order

Completed by: _____ Inspected By: _____



FORMWELL INDUSTRIES

SHEET METAL ORDER FORM

615-649-3714 // info@formwellindustries.com

PROJECT NAME: _____

MATERIAL: .040 ALUMINUM

FORMWELL WO# _____ (office use only)

26ga GALV STEEL .050 ALUMINUM

DUE DATE: _____

DATE SUBMITTED: _____

24ga GALV STEEL .063 ALUMINUM

Part Name: INSIDE CORNER FLASHING

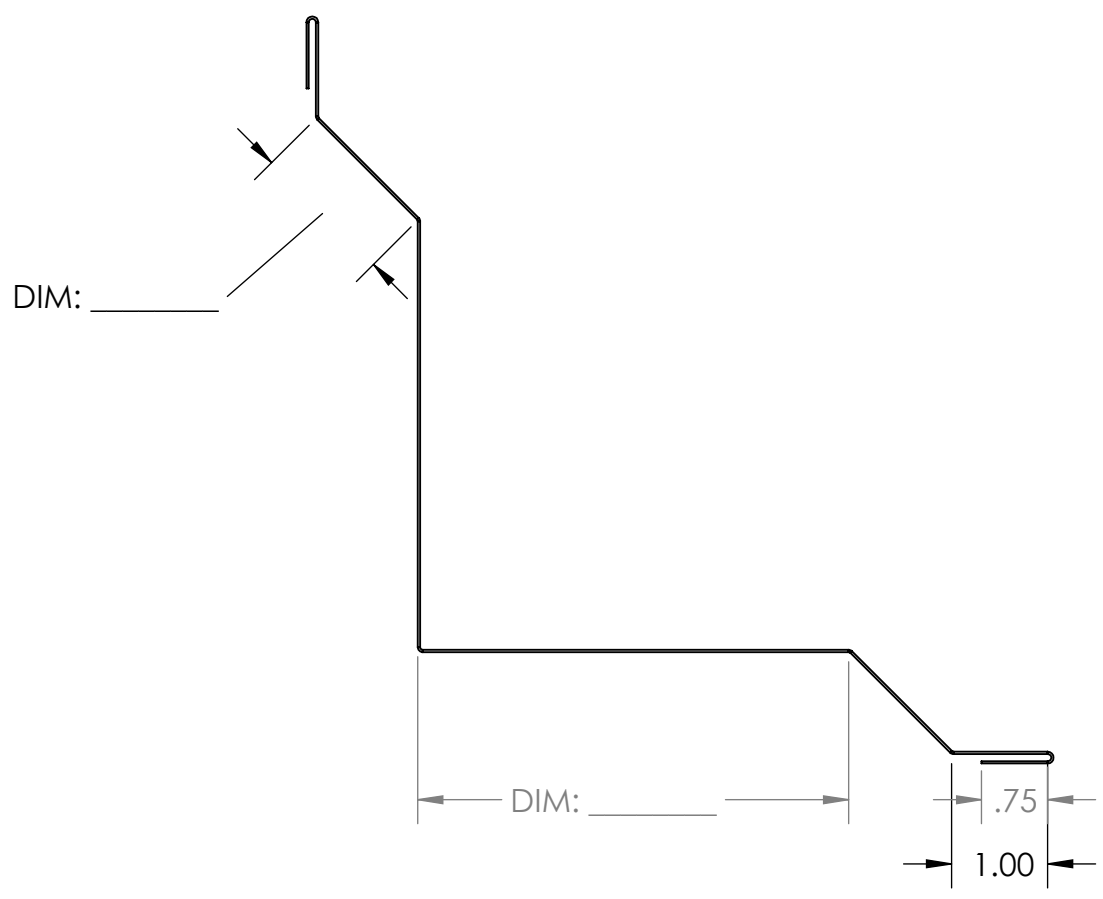
OTHER: _____

QUANTITY: _____

COLOR: _____

In 10'-0" Lengths

FINISH: _____



NOTES:
Part is symmetrical, Dimensions will be mirrored to opposite flange

ORDERED BY: _____ PHONE: _____

SHEET # _____ OF _____ REV.

EMAIL: _____

SCALE: _____

AUTHORIZED SIGNATURE: _____ DATE: _____

DIMENSIONS ARE IN INCHES UNLESS NOTED OTHERWISE
PROPRIETARY AND CONFIDENTIAL
THE INFORMATION CONTAINED IN THIS DRAWING IS THE SOLE PROPERTY OF ORIGINAL AUTHOR. ANY REPRODUCTION IN PART OR AS A WHOLE WITHOUT THE WRITTEN PERMISSION OF ORIGINAL AUTHOR IS PROHIBITED.

A Signed Print Approval Signifies a Contractor Has Verified All Dimensions, Sizes, Quantities and Material Types. Fabrication Can only Proceed Upon Receipt of Signed Print Approval and Purchase Order

Completed by: _____ Inspected By: _____

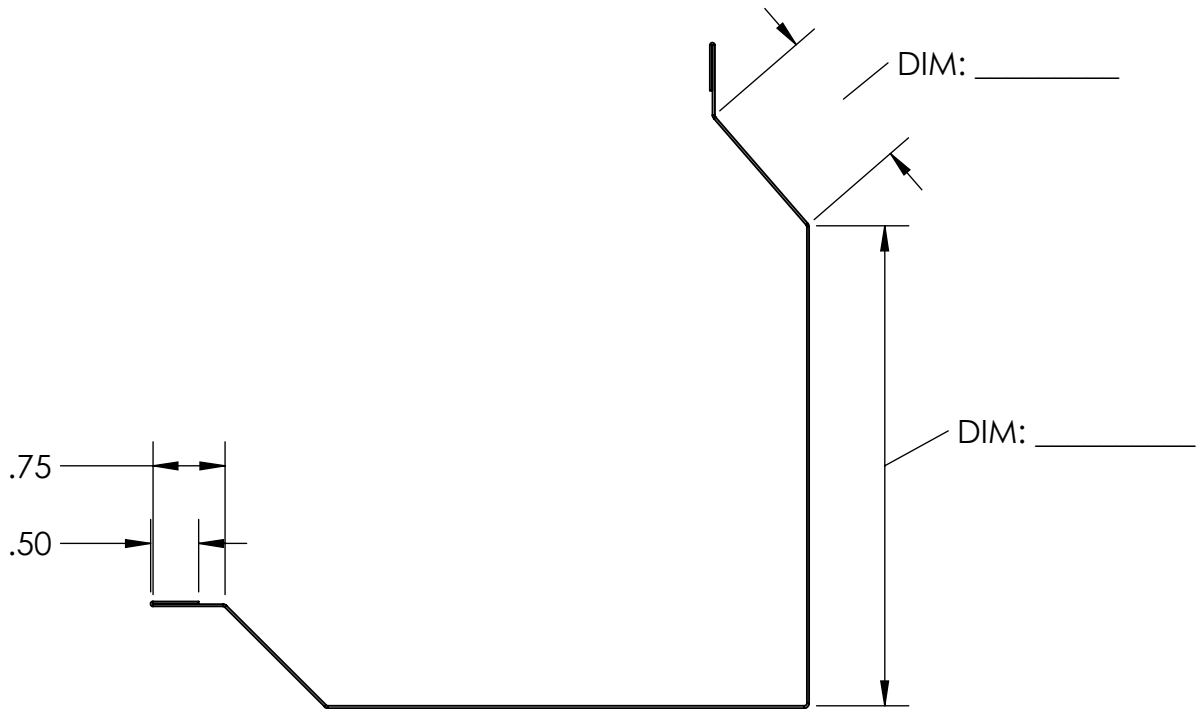


FORMWELL INDUSTRIES

SHEET METAL ORDER FORM

615-649-3714 // info@formwellindustries.com

PROJECT NAME: _____		MATERIAL: <input type="checkbox"/> .040 ALUMINUM	
FORMWELL WO# _____	(office use only)	<input type="checkbox"/> 26ga GALV STEEL	<input type="checkbox"/> .050 ALUMINUM
DUE DATE: _____	DATE SUBMITTED: _____	<input type="checkbox"/> 24ga GALV. STEEL	<input type="checkbox"/> .063 ALUMINUM
Part Name: <u>OUTSIDE CORNER FLASHING</u>		<input type="checkbox"/> OTHER: _____	
QUANTITY: _____		COLOR: _____	
In 10'-0" Lengths		FINISH: _____	



NOTES:

DIMENSIONS ARE SYMMETRICAL AND WILL BE MIRRORED TO OPPOSITE FLANGES

ORDERED BY: _____	PHONE: _____	SHEET # _____ OF _____	REV.
-------------------	--------------	------------------------	------

EMAIL: _____	SCALE: _____
--------------	--------------

AUTHORIZED SIGNATURE: _____ DATE: _____

DIMENSIONS ARE IN INCHES UNLESS NOTED OTHERWISE

PROPRIETARY AND CONFIDENTIAL
THE INFORMATION CONTAINED IN THIS DRAWING IS THE SOLE PROPERTY OF ORIGINAL AUTHOR. ANY REPRODUCTION IN PART OR AS A WHOLE WITHOUT THE WRITTEN PERMISSION OF ORIGINAL AUTHOR IS PROHIBITED.

A Signed Print Approval Signifies a Contractor Has Verified All Dimensions, Sizes, Quantities and Material Types. Fabrication Can only Proceed Upon Receipt of Signed Print Approval and Purchase Order

Completed by: _____ Inspected By: _____



FORMWELL INDUSTRIES

SHEET METAL ORDER FORM

615-649-3714 // info@formwellindustries.com

PROJECT NAME: _____

MATERIAL: .040 ALUMINUM

FORMWELL WO# _____ (office use only)

26ga GALV STEEL .050 ALUMINUM

DUE DATE: _____

DATE SUBMITTED: _____

24ga GALV STEEL .063 ALUMINUM

Part Name: J-Channel

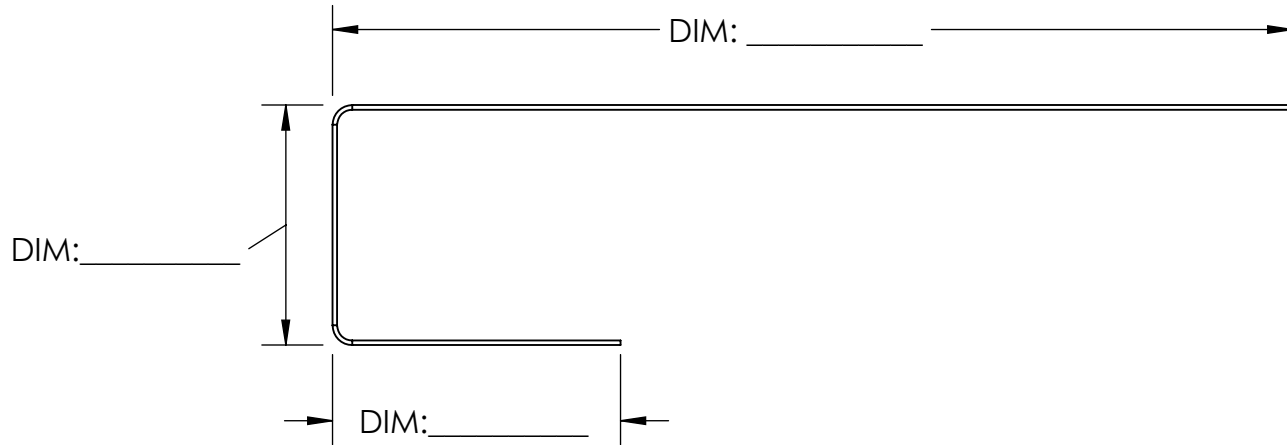
OTHER: _____

QUANTITY: _____

COLOR: _____

In 10'-0" Lengths _____

FINISH: _____



NOTES: _____

ORDERED BY: _____ PHONE: _____

SHEET # _____ OF _____ REV.

EMAIL: _____

SCALE: _____

AUTHORIZED SIGNATURE: _____ DATE: _____

DIMENSIONS ARE IN INCHES UNLESS NOTED OTHERWISE

PROPRIETARY AND CONFIDENTIAL

THE INFORMATION CONTAINED IN THIS DRAWING IS THE SOLE PROPERTY OF ORIGINAL AUTHOR. ANY REPRODUCTION IN PART OR AS A WHOLE WITHOUT THE WRITTEN PERMISSION OF ORIGINAL AUTHOR IS PROHIBITED.

A Signed Print Approval Signifies a Contractor Has Verified All Dimensions, Sizes, Quantities and Material Types. Fabrication Can only Proceed Upon Receipt of Signed Print Approval and Purchase Order

Completed by: _____ Inspected By: _____



FORMWELL INDUSTRIES

SHEET METAL ORDER FORM

615-649-3714 // info@formwellindustries.com

PROJECT NAME: _____

MATERIAL: .040 ALUMINUM

FORMWELL WO# _____ (office use only)

26ga GALV STEEL .050 ALUMINUM

DUE DATE: _____

DATE SUBMITTED: _____

24ga GALV STEEL .063 ALUMINUM

Part Name: LEDGE CAP FLASHING

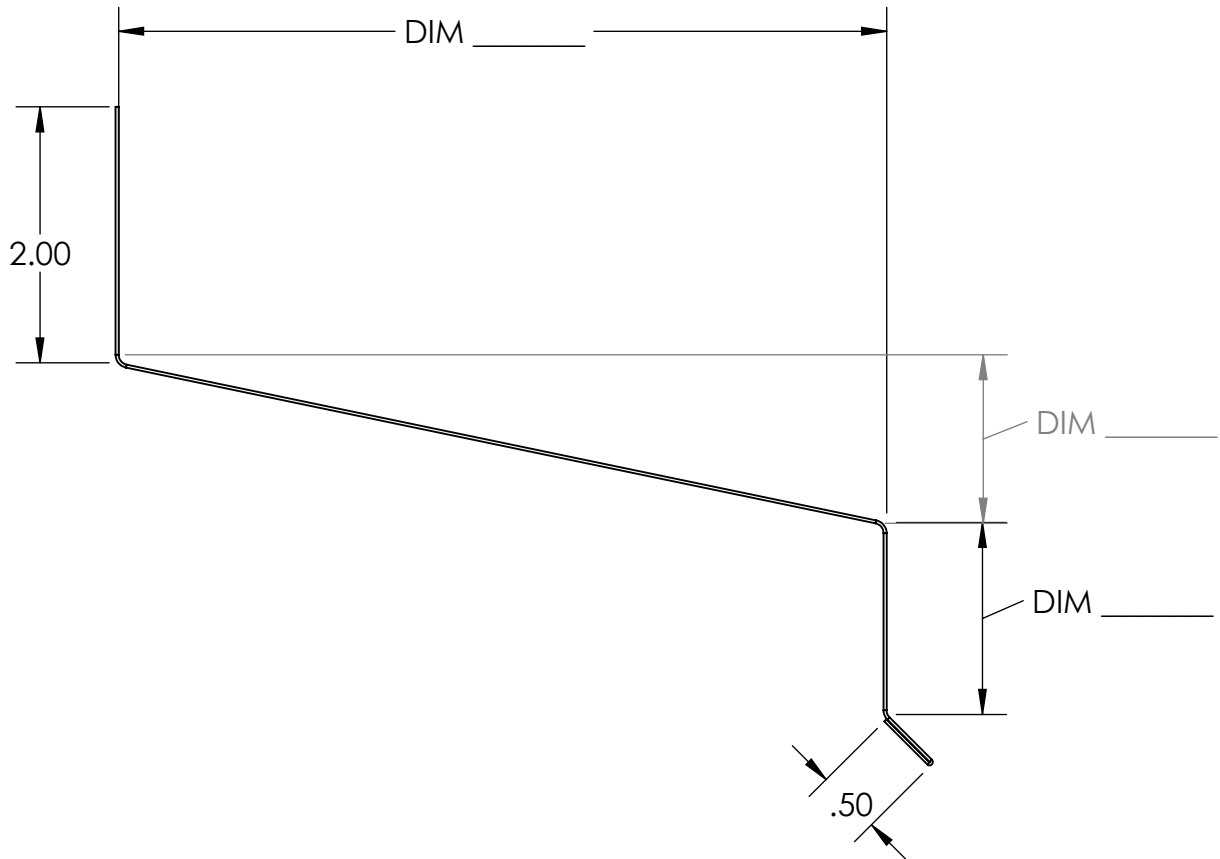
OTHER: _____

QUANTITY: _____

COLOR: _____

In 10'-0" Lengths _____

FINISH: _____



NOTES: _____

ORDERED BY: _____ PHONE: _____

SHEET # _____ OF _____ REV.

EMAIL: _____

SCALE: _____

AUTHORIZED SIGNATURE: _____ DATE: _____

DIMENSIONS ARE IN INCHES UNLESS NOTED OTHERWISE

PROPRIETARY AND CONFIDENTIAL

THE INFORMATION CONTAINED IN THIS DRAWING IS THE SOLE PROPERTY OF ORIGINAL AUTHOR. ANY REPRODUCTION IN PART OR AS A WHOLE WITHOUT THE WRITTEN PERMISSION OF ORIGINAL AUTHOR IS PROHIBITED.

A Signed Print Approval Signifies a Contractor Has Verified All Dimensions, Sizes, Quantities and Material Types. Fabrication Can only Proceed Upon Receipt of Signed Print Approval and Purchase Order

Completed by: _____ Inspected By: _____



FORMWELL INDUSTRIES

SHEET METAL ORDER FORM

615-649-3714 // info@formwellindustries.com

PROJECT NAME: _____

MATERIAL: .040 ALUMINUM

FORMWELL WO# _____ (office use only)

26ga GALV STEEL .050 ALUMINUM

DUE DATE: _____

DATE SUBMITTED: _____

24ga GALV STEEL .063 ALUMINUM

OTHER: _____

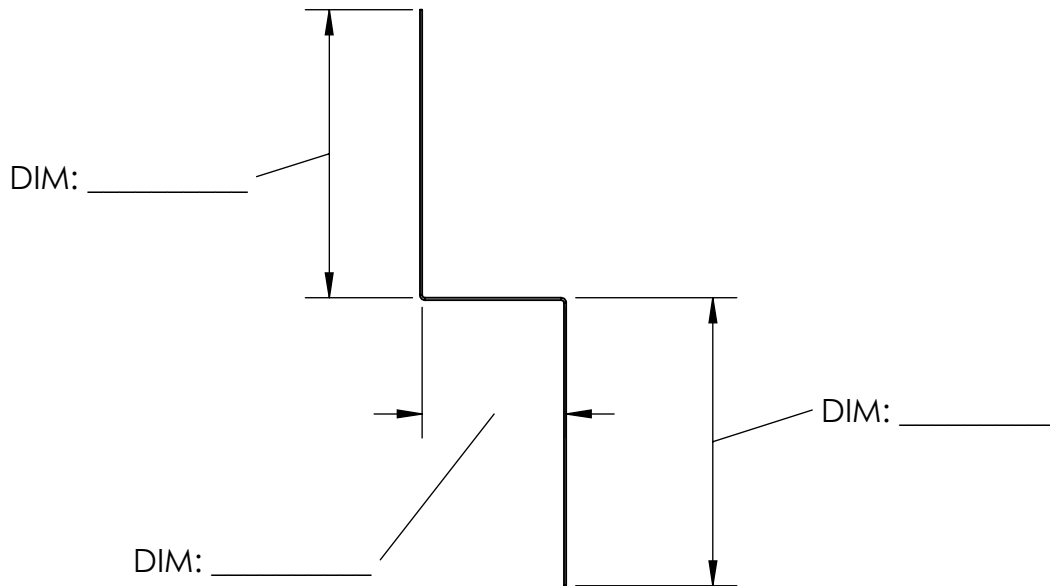
Part Name: Zee Flashing _____

QUANTITY: _____

COLOR: _____

In 10'-0" Lengths _____

FINISH: _____



NOTES: _____

ORDERED BY: _____ PHONE: _____

SHEET # _____ OF _____ REV.

EMAIL: _____

SCALE: _____

AUTHORIZED SIGNATURE: _____ DATE: _____

DIMENSIONS ARE IN INCHES UNLESS NOTED OTHERWISE

PROPRIETARY AND CONFIDENTIAL

THE INFORMATION CONTAINED IN THIS DRAWING IS THE SOLE PROPERTY OF ORIGINAL AUTHOR. ANY REPRODUCTION IN PART OR AS A WHOLE WITHOUT THE WRITTEN PERMISSION OF ORIGINAL AUTHOR IS PROHIBITED.

A Signed Print Approval Signifies a Contractor Has Verified All Dimensions, Sizes, Quantities and Material Types. Fabrication Can only Proceed Upon Receipt of Signed Print Approval and Purchase Order

Completed by: _____ Inspected By: _____



FORMWELL INDUSTRIES

SHEET METAL ORDER FORM

615-649-3714 // info@formwellindustries.com

PROJECT NAME: _____	
FORMWELL WO# _____	(office use only)
DUE DATE: _____	DATE SUBMITTED: _____
Part Name: <u>Termination Bar Flashing</u>	
QUANTITY: _____	
In 10'-0" Lengths _____	

MATERIAL:

.040 ALUMINUM

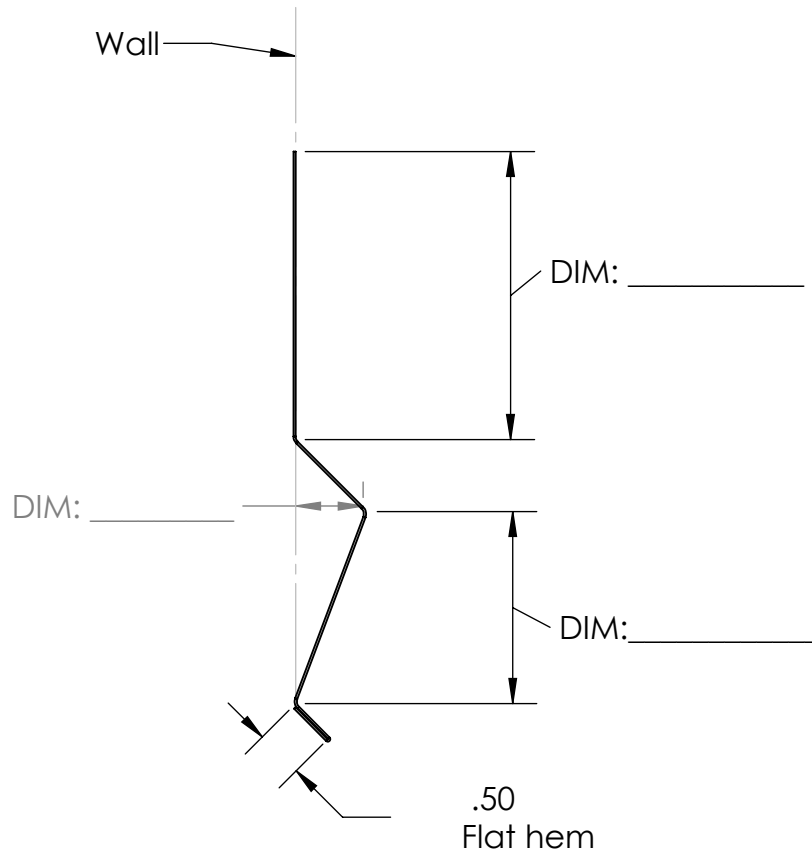
26ga GALV STEEL .050 ALUMINUM

24ga GALV STEEL .063 ALUMINUM

OTHER: _____

COLOR: _____

FINISH: _____



NOTES: _____

ORDERED BY: _____	PHONE: _____	SHEET # _____ OF _____	REV.
-------------------	--------------	------------------------	------

EMAIL: _____	SCALE: _____
--------------	--------------

AUTHORIZED SIGNATURE: _____ DATE: _____

DIMENSIONS ARE IN INCHES UNLESS NOTED OTHERWISE

PROPRIETARY AND CONFIDENTIAL

THE INFORMATION CONTAINED IN THIS DRAWING IS THE SOLE PROPERTY OF ORIGINAL AUTHOR. ANY REPRODUCTION IN PART OR AS A WHOLE WITHOUT THE WRITTEN PERMISSION OF ORIGINAL AUTHOR IS PROHIBITED.

A Signed Print Approval Signifies a Contractor Has Verified All Dimensions, Sizes, Quantities and Material Types. Fabrication Can only Proceed Upon Receipt of Signed Print Approval and Purchase Order

Completed by: _____ Inspected By: _____



FORMWELL INDUSTRIES

SHEET METAL ORDER FORM

615-649-3714 // info@formwellindustries.com

PROJECT NAME: _____

MATERIAL: .040 ALUMINUM

FORMWELL WO# _____ (office use only)

26ga GALV STEEL .050 ALUMINUM

DUE DATE: _____

DATE SUBMITTED: _____

24ga GALV STEEL .063 ALUMINUM

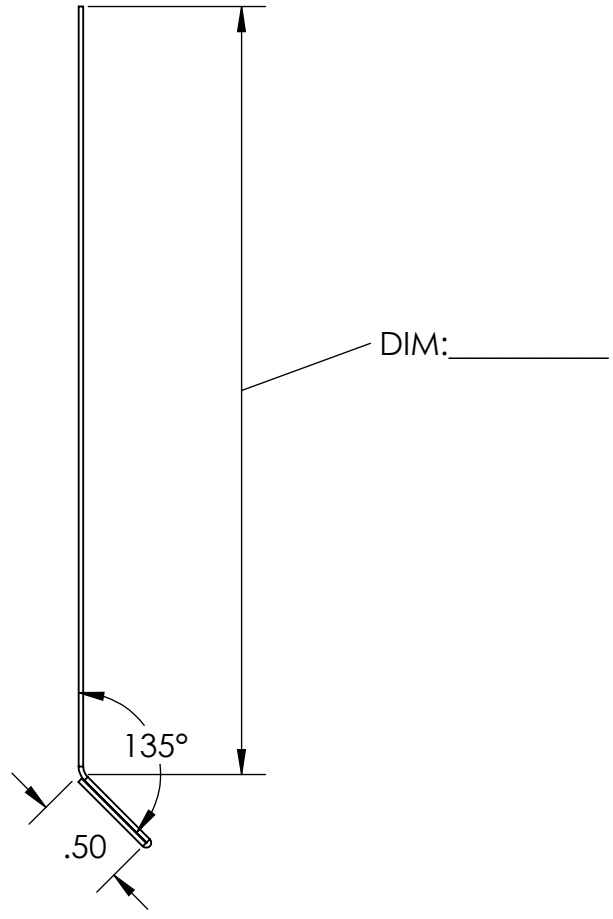
Part Name: Skirt Flashing

OTHER: _____

QUANTITY: _____
In 10'-0" Lengths

COLOR: _____

FINISH: _____



NOTES: _____

ORDERED BY: _____ PHONE: _____

SHEET # _____ OF _____ REV.

EMAIL: _____

SCALE: _____

AUTHORIZED SIGNATURE: _____ DATE: _____

DIMENSIONS ARE IN INCHES UNLESS NOTED OTHERWISE

PROPRIETARY AND CONFIDENTIAL

THE INFORMATION CONTAINED IN THIS DRAWING IS THE SOLE PROPERTY OF ORIGINAL AUTHOR. ANY REPRODUCTION IN PART OR AS A WHOLE WITHOUT THE WRITTEN PERMISSION OF ORIGINAL AUTHOR IS PROHIBITED.

A Signed Print Approval Signifies a Contractor Has Verified All Dimensions, Sizes, Quantities and Material Types. Fabrication Can only Proceed Upon Receipt of Signed Print Approval and Purchase Order

Completed by: _____ Inspected By: _____

